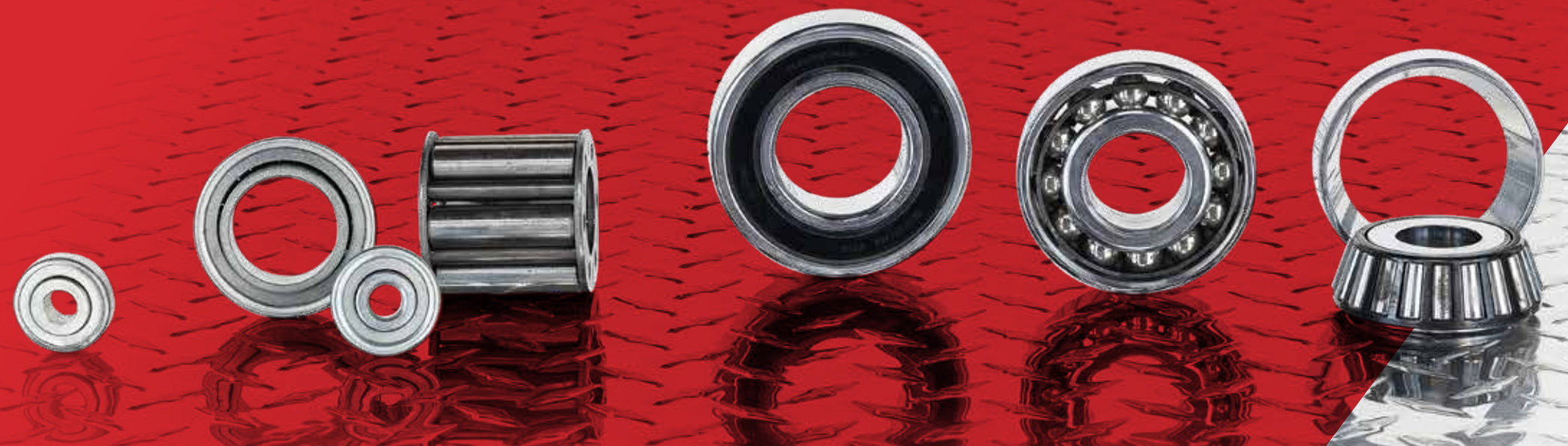


# BEARINGS

---

- Different types :
  - Ball bearing
  - Roller bearing
  - Pillow block
  - Flange bearing
- Low friction
- High-speed resistance
- Quiet running



# TABLE OF CONTENTS

## BALL BEARINGS

Single-row radial .....	102
Spherical OD .....	110
Double-row angular contact .....	112
Single-direction thrust .....	116
Deep groove – Type R .....	120
Carbone .....	121
Conveyor .....	125

## ROLLER BEARINGS – TAPERED

Metric size .....	128
Imperial size .....	132

## UNITS

Pillow block .....	136
4-bolt flange .....	138
2-bolt flange .....	140
UC insert .....	142
HC insert .....	144
Take up .....	146
SER insert .....	148
Mounted units – Thermoplastic .....	150
SB & CSB inserts .....	158
SA & CSA inserts .....	159
Pressed steel .....	160

## LINEAR GUIDEWAY - ABBA

Linear guideway .....	168
-----------------------	-----

# BALL BEARINGS

- Large range
- Bore from 10 mm to 200 mm
- Outside diameter of up to 360 mm
- Possibility for development



# BALL BEARINGS

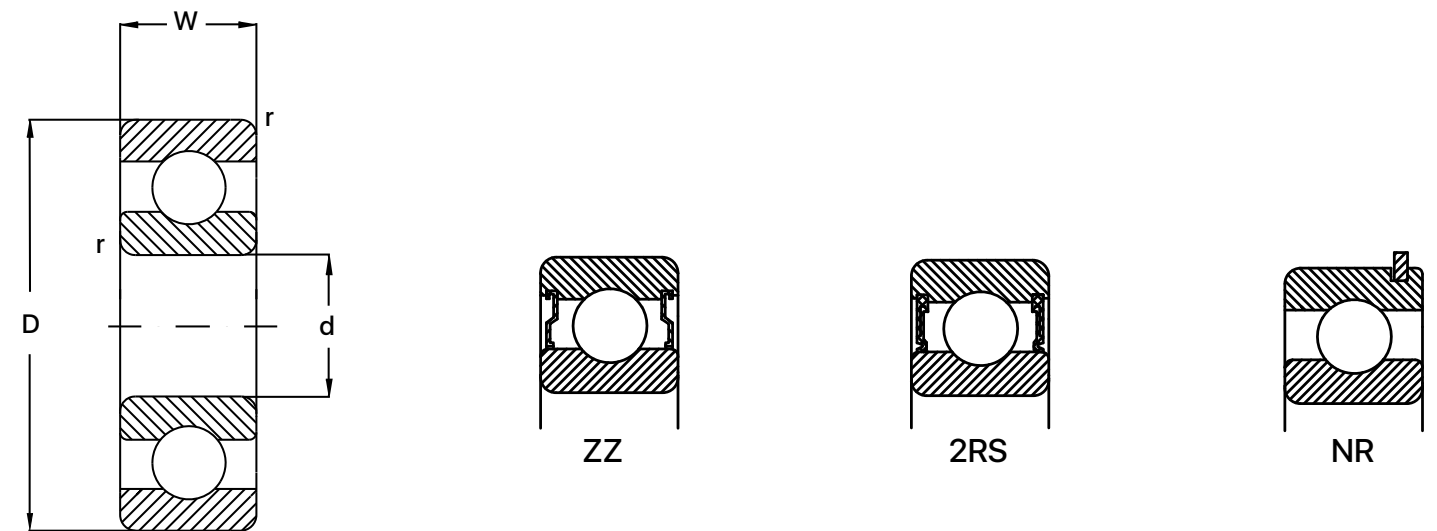
## SINGLE-ROW RADIAL – 6000 SERIES

Bearing* no.	Bore		Outer diameter		Width		Radius		Basic load rating		Weight lb
	d		D		W		r		Dynamic (C)	Static (C0)	
	mm	in	mm	in	mm	in	mm	in	lb		
6000	10	0.3937	26	1.0236	8	0.3150	0.5	0.020	1030	440	0.042
6001	12	0.4724	28	1.1024	8	0.3150	0.5	0.020	1150	540	0.049
6002	15	0.5906	32	1.2598	9	0.3543	0.5	0.020	1260	635	0.066
6003	17	0.6693	35	1.3780	10	0.3937	0.5	0.020	1530	755	0.086
6004	20	0.7874	42	1.6535	12	0.4724	1.0	0.039	2110	1140	0.152
60/22	22	0.8661	44	1.7323	12	0.4724	1.0	0.039	2110	1150	0.163
6005	25	0.9843	47	1.8504	12	0.4724	1.0	0.039	2260	1320	0.176
60/28	28	1.1024	52	2.0472	12	0.4724	1.0	0.039	2800	1660	0.216
6006	30	1.1811	55	2.1654	13	0.5118	1.5	0.059	2970	1860	0.256
60/32	32	1.2598	58	2.2835	13	0.5118	1.5	0.059	3400	2050	0.284
6007	35	1.3780	62	2.4409	14	0.5512	1.5	0.059	3600	2310	0.342
6008	40	1.5748	68	2.6772	15	0.5906	1.5	0.059	3750	2590	0.423
6009	45	1.7717	75	2.9528	16	0.6299	1.5	0.059	4700	3400	0.540
6010	50	1.9685	80	3.1496	16	0.6299	1.5	0.059	4900	3750	0.575
6011	55	2.1654	90	3.5433	18	0.7087	1.5	0.059	6350	4800	0.849
6012	60	2.3622	95	3.7402	18	0.7087	2.0	0.079	6600	5200	0.915
6013	65	2.5591	100	3.9370	18	0.7087	2.0	0.079	6850	5650	0.959
6014	70	2.7559	110	4.3307	20	0.7874	2.0	0.079	8550	6950	1.33
6015	75	2.9528	115	4.5276	20	0.7874	2.0	0.079	8900	7550	1.41
6016	80	3.1496	125	4.9213	22	0.8661	2.0	0.079	10700	8950	1.87
6017	85	3.3465	130	5.1181	22	0.8661	2.0	0.079	11100	9700	1.96
6018	90	3.5433	140	5.5118	24	0.9449	2.5	0.098	13100	11200	2.56
6019	95	3.7402	145	5.7087	24	0.9449	2.5	0.098	13600	12100	2.67
6020	100	3.9370	150	5.9055	24	0.9449	2.5	0.098	13500	12200	2.76
6021	105	4.1339	160	6.2992	26	1.0236	3.0	0.118	16300	14800	3.51
6022	110	4.3307	170	6.6929	28	1.1024	3.0	0.118	18400	16400	4.32
6024	120	4.7244	180	7.0866	28	1.1024	3.0	0.118	19100	17800	4.56
6026	130	5.1181	200	7.8740	33	1.2992	3.0	0.118	23900	22700	6.97
6028	140	5.5118	210	8.2677	33	1.2992	3.0	0.118	24700	24400	7.39
6030	150	5.9055	225	8.8583	35	1.3780	3.5	0.138	28300	28300	8.99
6032	160	6.2992	240	9.4488	38	1.4961	3.5	0.138	32000	32500	11.10
6034	170	6.6929	260	10.2362	42	1.6535	3.5	0.138	38000	38500	17.50
6036	180	7.0866	280	11.0236	46	1.8110	3.5	0.138	42500	44500	22.70
6038	190	7.4803	290	11.4173	46	1.8110	3.5	0.138	44000	48500	23.80

1. \*Not normal stock item. Contact us for availability.

2. For AIDI 440C stainless steel, add "S" prefix, e.g. S6005-2RS (Available from S6000 to S6012, open ZZ and 2RS).

3. The load ratings are for informational purposes only and may vary depending on the product origin. Please see your representative for more information.



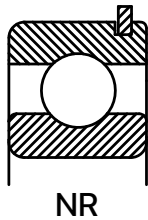
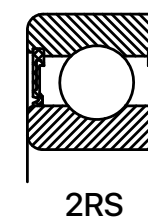
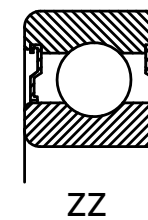
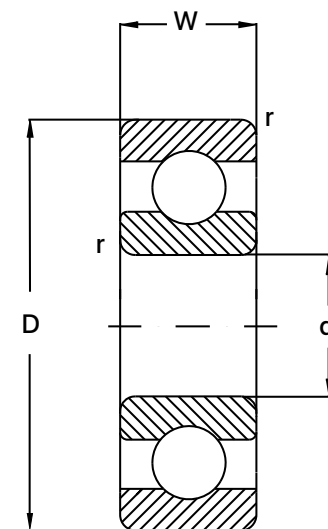
# BALL BEARINGS

## SINGLE-ROW RADIAL – 6200 SERIES

Bearing* no.	Bore		Outer diameter		Width		Radius		Basic load rating		Weight
	d		D		W		r		Dynamic (C)	Static (C0)	
	mm	in	mm	in	mm	in	mm	in	lb	lb	
6200	10	0.3937	30	1.1811	9	0.3543	1.0	0.039	1150	540	0.071
6201	12	0.4724	32	1.2598	10	0.3937	1.0	0.039	1370	615	0.082
6201-8	12.7	0.5000	32	1.2598	10	0.3937	1.0	0.039	1370	615	0.082
6201-13mm	13	0.5118	32	1.2598	10	0.3937	1.0	0.039	1370	615	0.082
6202	15	0.5906	35	1.3780	11	0.4331	1.0	0.039	1740	805	0.099
6202-8	12.7	0.5000	35	1.3780	11	0.4331	1.0	0.039	1740	805	0.110
6202-10	15.875	0.6250	35	1.3780	11	0.4331	1.0	0.039	1740	805	0.090
6202-16mm	16	0.6299	35	1.3780	11	0.4331	1.0	0.039	1740	805	0.090
6203	17	0.6693	40	1.5748	12	0.4724	1.0	0.039	2160	1030	0.143
6203-8	12.7	0.5000	40	1.5748	12	0.4724	1.0	0.039	2160	1030	0.154
6203-15mm	15	0.5906	40	1.5748	12	0.4724	1.0	0.039	2160	1030	0.148
6203-10	15.875	0.6250	40	1.5748	12	0.4724	1.0	0.039	2160	1030	0.150
6203-16mm	16	0.6299	40	1.5748	12	0.4724	1.0	0.039	2160	1030	0.150
6203-12	19.05	0.7500	40	1.5748	12	0.4724	1.0	0.039	2160	1030	0.140
6204	20	0.7874	47	1.8504	14	0.5512	1.5	0.059	2890	1500	0.234
6204-12	19.05	0.7500	47	1.8504	14	0.5512	1.5	0.059	2890	1500	0.236
62/22	22	0.8661	50	1.9685	14	0.5512	1.5	0.059	2900	1530	0.258
6204-14	22.225	0.8750	47	1.8504	14	0.5512	1.5	0.059	2890	1500	0.230
6205	25	0.9843	52	2.0475	15	0.5906	1.5	0.059	3150	1770	0.282
6205-16	25.4	1.0000	52	2.0472	15	0.5906	1.5	0.059	3150	1770	0.280
62/28	28	1.1024	58	2.2835	16	0.6299	1.5	0.059	4000	2190	0.377
6206	30	1.1811	62	2.4409	16	0.6299	1.5	0.059	4400	2540	0.439
62/32	32	1.2598	65	2.5591	17	0.6693	1.5	0.059	4625	2600	0.498
6207	35	1.3780	72	2.8346	17	0.6693	2.0	0.079	5750	3450	0.635
6208	40	1.5748	80	3.1496	18	0.7087	2.0	0.079	6550	4000	0.807
6209	45	1.7717	85	3.3465	19	0.7480	2.0	0.079	7350	4600	0.897
6210	50	1.9685	90	3.5433	20	0.7874	2.0	0.079	7900	5200	1.02
6211	55	2.1654	100	3.9370	21	0.8268	2.5	0.098	9750	6550	1.34
6212	60	2.3622	110	4.3307	22	0.8661	2.5	0.098	11800	8150	1.73
6213	65	2.5591	120	4.7244	23	0.9055	2.5	0.098	12900	9000	2.18
6214	70	2.7559	125	4.9213	24	0.9449	2.5	0.098	14000	9900	2.36
6215	75	2.9528	130	5.1181	25	0.9843	2.5	0.098	14900	11100	2.60
6216	80	3.1496	140	5.5118	26	1.0236	3.0	0.118	16300	11900	3.09
6217	85	3.3465	150	5.9055	28	1.1024	3.0	0.118	18700	14300	3.95
6218	90	3.5433	160	6.2992	30	1.1811	3.0	0.118	21600	16100	4.74
6219	95	3.7402	170	6.6929	32	1.2598	3.5	0.138	24500	18400	5.78
6220	100	3.9370	180	7.0866	34	1.3386	3.5	0.138	27500	20900	6.92
6221	105	4.1339	190	7.4803	36	1.4173	3.5	0.138	29900	23500	8.16
6222	110	4.3307	200	7.8740	38	1.4961	3.5	0.138	32500	26300	9.61
6224	120	4.7244	215	8.4646	40	1.5748	3.5	0.138	35000	29500	11.4
6226	130	5.1181	230	9.0551	40	1.5748	4.0	0.157	37500	33000	12.8
6228	140	5.5118	250	9.8425	42	1.6535	4.0	0.157	37500	33500	16.5
6230	150	5.9055	270	10.6299	45	1.7717	4.0	0.157	39500	37500	20.7
6232	160	6.2992	290	11.4173	48	1.8898	4.0	0.157	41500	42000	31.5
6234	170	6.6929	310	12.2047	52	2.0472	5.0	0.197	47500	50000	38.6
6236	180	7.0866	320	12.5984	52	2.0472	5.0	0.197	51000	54000	40.3
6238	190	7.4803	340	13.3858	55	2.1654	5.0	0.197	57500	63500	50.7
6240	200	7.8740	360	14.1732	58	2.2835	5.0	0.197	60500	70000	62.2

1. \*Not normal stock item. Contact us for availability.

2. For AISI 440C stainless steel, add "S" prefix, e.g. S6205-2RS (Available from S6000 to S6012, open ZZ and 2RS).



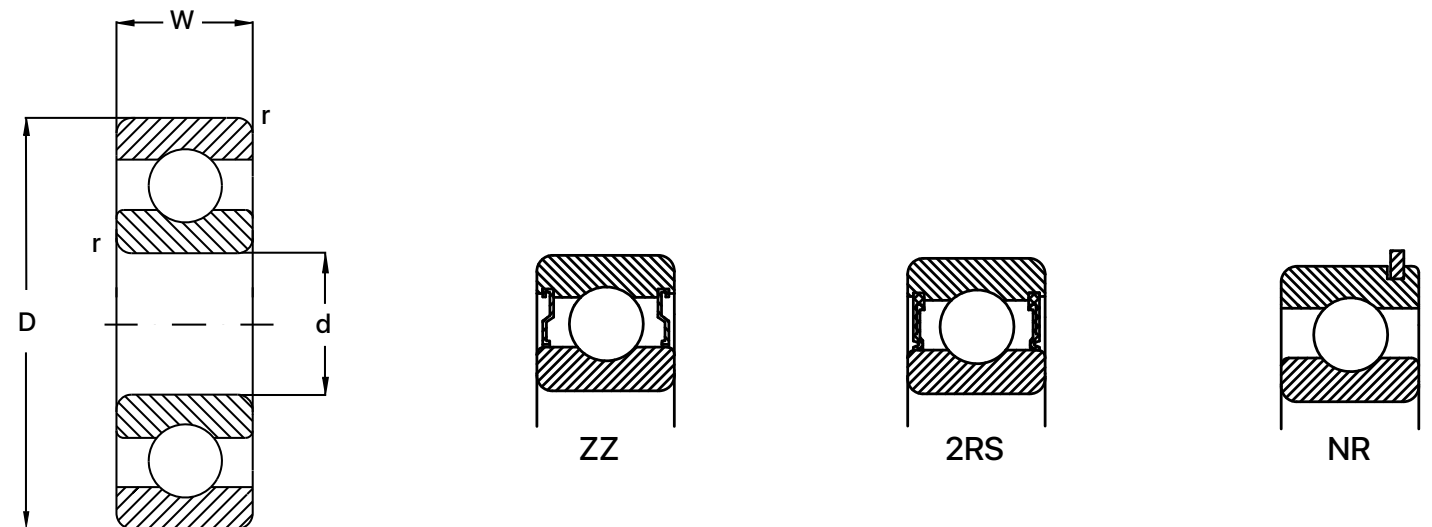
# BALL BEARINGS

## SINGLE-ROW RADIAL – 6300 SERIES

Bearing* no.	Bore		Outer diameter		Width		Radius		Basic load rating		Weight lb
	d		D		W		r		Dynamic (C)	Static (C0)	
	mm	in	mm	in	mm	in	mm	in	lb	lb	
6300	10	0.3937	35	1.3780	11	0.4331	1.0	0.039	1840	785	0.117
6301	12	0.4724	37	1.4567	12	0.4724	1.5	0.059	2180	940	0.132
6302	15	0.5906	42	1.6535	13	0.5118	1.5	0.059	2570	1220	0.181
6303	17	0.6693	47	1.8504	14	0.5512	1.5	0.059	3050	1470	0.254
6304	20	0.7874	52	2.0472	15	0.5906	2.0	0.079	3600	1770	0.317
63/22	22	0.8661	56	2.2047	16	0.6299	2.0	0.079	4100	2080	0.511
6305	25	0.9843	62	2.4409	17	0.6693	2.0	0.079	4750	2460	0.511
63/28	28	1.1024	68	2.6772	18	0.7087	2.0	0.079	6000	3150	0.633
6306	30	1.1811	72	2.8346	19	0.7480	2.0	0.079	6700	3800	0.763
6306-20	31.75	1.2500	72	2.8346	19	0.7480	2.0	0.079	6700	3800	0.749
63/32	32	1.2598	75	2.9528	20	0.7874	2.0	0.079	23000	16000	0.842
6307	35	1.3780	80	3.1496	21	0.8268	2.5	0.098	7500	4300	1.01
6308	40	1.5748	90	3.5433	23	0.9055	2.5	0.098	9150	5400	1.40
6309	45	1.7717	100	3.9370	25	0.9843	2.5	0.098	11900	7200	1.84
6310	50	1.9685	110	4.3307	27	1.0630	3.0	0.118	13900	8600	2.36
6311	55	2.1654	120	4.7244	29	1.1417	3.0	0.118	16100	10100	3.02
6312	60	2.3622	130	5.1181	31	1.2205	3.5	0.138	18400	11700	3.75
6313	65	2.5591	140	5.5118	33	1.2992	3.5	0.138	20800	13400	4.59
6314	70	2.7559	150	5.9055	35	1.3780	3.5	0.138	23400	15300	5.56
6315	75	2.9526	160	6.2992	37	1.4567	3.5	0.138	25500	17400	6.66
6316	80	3.1496	170	6.6929	39	1.5354	3.5	0.138	27600	19500	7.91
6317	85	3.3465	180	7.0866	41	1.6142	4.0	0.157	29800	21800	9.33
6318	90	3.5433	190	7.4803	43	1.6929	4.0	0.157	32000	24100	10.8
6319	95	3.7402	200	7.8740	45	1.7717	4.0	0.157	34500	26600	12.5
6320	100	3.9370	215	8.4646	47	1.8504	4.0	0.157	39000	31500	15.4
6321	105	4.1339	225	8.8583	49	1.9291	4.0	0.157	41500	34500	17.7
6322	110	4.3307	240	9.4488	50	1.9685	4.0	0.157	40000	40500	21.0
6324	120	4.7244	260	10.2362	55	2.1654	4.0	0.157	46500	41500	27.3
6326	130	5.1181	280	11.0236	58	2.2835	5.0	0.197	51500	48000	33.3
6328	140	5.5118	300	11.8110	62	2.4409	5.0	0.197	57000	55500	40.8
6330	150	5.9055	320	12.5984	65	2.5591	5.0	0.197	61500	63500	57.8

1. \*Not normal stock item. Contact us for availability.

2. For AISI 440C stainless steel, add "S" prefix, e.g. S6205-2RS (Available from S6000 to S6012, open ZZ and 2RS).

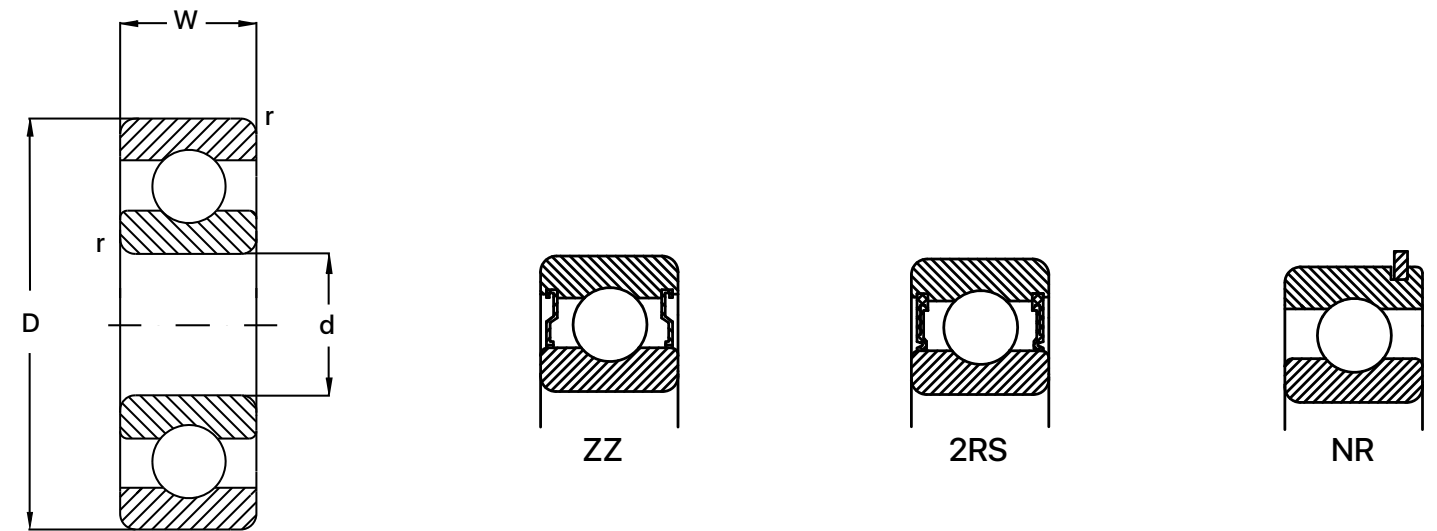


# BALL BEARINGS

## SINGLE-ROW RADIAL – 6400 OPEN ONLY SERIES

Bearing* no.	Bore		Outer diameter		Width		Radius		Basic load rating		Weight lb
	d		D		W		r		Dynamic (C)	Static (C0)	
	mm	in	mm	in	mm	in	mm	in	lb		
6403	17	0.6693	62	2.4409	17	0.6693	1.0	0.039	5100	2420	0.60
6404	20	0.7874	72	2.8346	19	0.7480	1.0	0.039	6400	3150	0.90
6405	25	0.9843	80	3.1496	21	0.8268	1.5	0.059	4750	2460	1.19
6406	30	1.1811	90	3.5433	23	0.9055	1.5	0.059	9750	5350	1.59
6407	35	1.3780	100	3.9370	25	0.9843	1.5	0.059	12400	7000	2.06
6408	40	1.5748	110	4.3307	27	1.0630	2.0	0.079	14300	8200	2.69
6409	45	1.7717	120	4.7244	29	1.1417	2.0	0.079	17300	10100	3.41
6410	50	1.9685	130	5.1181	31	1.2205	2.0	0.079	18700	11100	4.20
6411	55	2.1654	140	5.5118	33	1.2992	2.0	0.079	20000	12100	5.13
6412	60	2.3622	150	5.9055	35	1.3780	2.0	0.079	22900	14400	6.22
6413	65	2.5591	160	6.2992	37	1.4567	2.0	0.079	24900	16200	7.44
6414	70	2.7559	180	7.0866	42	1.6535	2.5	0.098	28800	20100	11.0
6415	75	2.9528	190	7.4803	45	1.7717	2.5	0.098	31000	22300	13.1
6416	80	3.1496	200	7.8740	48	1.8898	2.5	0.098	37000	28200	15.3
6417	85	3.3465	210	8.2677	52	2.0472	3.0	0.118	37000	28700	18.8
6418	90	3.5433	225	8.8583	54	2.1260	3.0	0.118	41500	35500	25.4

1. Not normal stock item. Contact us for availability.
2. For AISI 440C stainless steel, add "S" prefix.

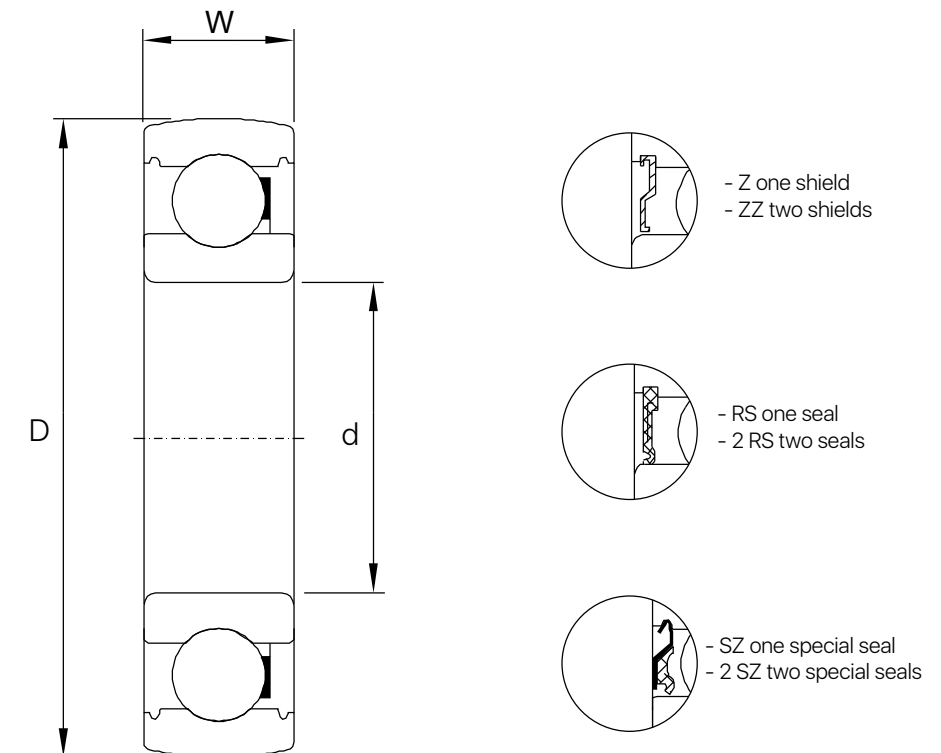


# BALL BEARINGS

SPHERICAL OD – SC200, SC300 SERIES

Bearing no.	Description no.	Bore		Outer diameter		Width		Basic load rating		Weight kg
		d		D		W		Dynamic (C)	Static (CO)	
		mm	in	mm	in	mm	in	kN		
SC201	1726201-2RS	12	0.4724	32	1.2598	10	0.3937	6.82	3.06	0.035
SC202	1726202-2RS	15	0.5906	35	1.3780	11	0.4331	7.64	3.72	0.045
SC203	1726203-2RS	17	0.6693	40	1.5748	12	0.4724	9.57	4.79	0.064
SC204	1726204-2RS	20	0.7871	47	1.8504	14	0.5512	12.84	6.66	0.11
SC205	1726205-2RS	25	0.9843	52	2.0472	15	0.5006	14.01	7.84	0.18
SC206	1726206-2RS	30	1.1811	62	2.4409	16	0.6299	19.40	11.27	0.20
SC207	1726207-2RS	35	1.3780	72	2.8346	17	0.6693	25.68	15.39	0.30
SC208	1726208-2RS	40	1.5748	80	3.1496	18	0.7087	29.11	17.84	0.37
SC209	1726209-2RS	45	1.7717	85	3.3465	19	0.7480	32.63	20.29	0.41
SC210	1726210-2RS	50	1.9685	90	3.5433	20	0.7874	35.08	23.23	0.46
SC211	1726211-2RS	55	2.1654	100	3.9370	21	0.8268	43.32	29.90	0.61
SC212	1726212-2RS	60	2.3622	110	4.3307	22	0.8661	47.82	35.28	0.78
SC213	1726213-2RS	65	2.5590	120	4.7244	23	0.9055	57.21	40.00	0.99
SC214	1726214-2RS	70	2.7559	125	4.9213	24	0.9449	60.83	45.03	1.08
SC215	1726215-2RS	75	2.9528	130	5.1181	25	0.9843	66.11	49.50	1.17
SC216	1726216-2RS	80	3.1496	140	5.5118	26	1.0236	71.55	54.30	1.44
SC217	1726217-2RS	85	3.3465	150	5.9055	28	1.1024	83.21	63.96	1.80
SC304	1726304-2RS	20	0.7874	52	2.0172	15	0.5906	15.88	7.84	0.14
SC305	1726305-2RS	25	0.9843	62	2.4409	17	0.6693	20.58	11.27	0.24
SC306	1726306-2RS	30	1.1811	72	2.8346	19	0.7480	26.66	14.99	0.35
SC307	1726307-2RS	35	1.3780	80	3.1496	21	0.8268	33.32	19.21	0.46
SC308	1726308-2RS	40	1.5748	90	3.5433	23	0.8055	40.67	24.01	0.64
SC309	1726309-2RS	45	1.7717	100	3.9370	25	0.9843	48.80	29.50	0.84
SC310	1726310-2RS	50	1.9685	110	4.3307	27	1.0630	61.94	38.22	1.10
SC311	1726311-2RS	55	2.1651	120	4.7211	29	1.1917	71.57	44.76	1.36
SC312	1726312-2RS	60	2.3622	130	5.1181	31	1.2205	81.75	51.85	1.70
SC313	1726313-2RS	65	2.5590	140	5.5118	33	1.2992	93.87	60.44	2.09
SC314	1726314-2RS	70	2.7559	150	5.9055	35	1.3780	104.13	68.04	2.51

More sizes available. Please contact us for details.

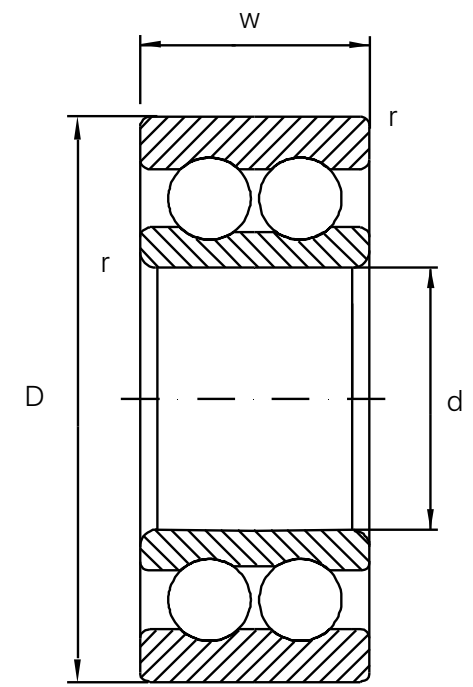
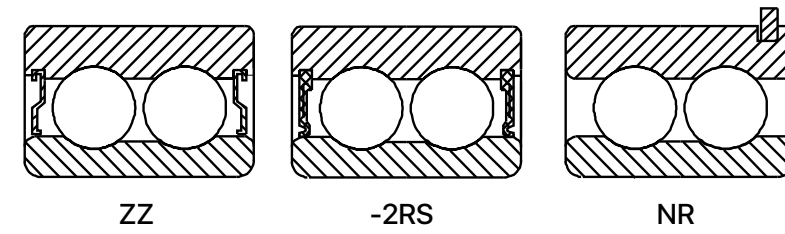


# BALL BEARINGS

## DOUBLE-ROW ANGULAR CONTACT – NON-FILLING-SLOT TYPE – 5200, W5200 SERIES

Bearing no.	Bore		Outer diameter		Width			Radius		Basic load rating		Weight
	d		D		W			r		Dynamic (C)	Static (C0)	
	mm	in	mm	in	mm	fraction	in	mm	in	lb	lb	
5200	10	0.3937	30	1.1811	14.287	9/16	0.5625	0.8	0.032	1560	855	0.13
5201	12	0.4724	32	1.2598	15.875	5/8	0.6250	0.8	0.032	2050	1140	0.16
W5201	12	0.4724	32	1.2598	17.463	11/16	0.6875	0.8	0.032	2360	1300	0.17
5202	15	0.5906	35	1.378	15.875	5/8	0.6250	1.0	0.039	2260	1360	0.18
W5202	15	0.5906	35	1.378	19.05	3/4	0.7500	1.0	0.039	2620	1580	0.19
5203	17	0.6693	40	1.5748	17.463	11/16	0.6875	1.0	0.039	2870	1770	0.2
W5203	17	0.6693	40	1.5748	20.638	13/16	0.8125	1.0	0.039	2870	1770	0.2
5204	20	0.7874	47	1.8504	20.63	13/16	0.8125	1.5	0.059	4300	2710	0.34
W5204	20	0.7874	47	1.8504	23.813	15/16	0.9375	1.5	0.059	4300	1770	0.36
5205	25	0.9843	52	2.0472	20.638	13/16	0.8125	1.5	0.059	4650	3200	0.42
W5205	25	0.9843	52	2.0472	23.813	15/16	0.9375	1.5	0.059	4650	3200	0.45
5206	30	1.1811	62	2.4409	23.813	15/16	0.9375	1.5	0.059	6450	4600	0.64
W5206	30	1.1811	62	2.4409	26.988	11/16	1.0625	1.5	0.059	6450	4600	0.74
5207	35	1.378	72	2.8346	26.988	11/16	1.0625	2.0	0.079	8500	6250	0.95
W5207	35	1.378	72	2.8346	30.163	13/16	1.1875	2.0	0.079	8500	6250	1.21
5208	40	1.5748	80	3.1496	30.163	13/16	1.1875	2.0	0.079	9600	7250	1.26
5209	45	1.7717	85	3.3465	30.163	13/16	1.1875	2.0	0.079	10800	8300	1.37
5210	50	1.9685	90	3.5433	30.163	13/16	1.1875	2.0	0.079	11500	9400	1.48
5211	55	2.1654	100	3.937	33.338	15/16	1.3125	2.5	0.098	14200	11900	2.17
5212	60	2.3622	110	4.3307	36.513	17/16	1.4375	2.5	0.098	16100	13100	2.8
5213	65	2.5591	120	4.7244	38.1	1 1/2	1.5000	2.5	0.098	18700	16300	3.46
5214	70	2.7559	125	4.9213	39.688	19/16	1.5625	2.5	0.098	20400	17900	3.97
5215	75	2.9528	130	5.1181	41.275	15/8	1.6250	2.5	0.098	20300	18100	4.2
5216	80	3.1496	140	5.5118	44.450	1 3/4	1.7500	3.0	0.118	23800	21400	5.5
5217	85	3.3465	150	5.9055	49.213	1 15/16	1.9375	3.0	0.118	25100	23900	6.75
5218	90	3.5433	160	6.2992	52.388	2 1/16	2.0626	3.0	0.118	31500	29000	8.9

Note: 5211 through 5218 are only available as open or NR types.



BEARINGS

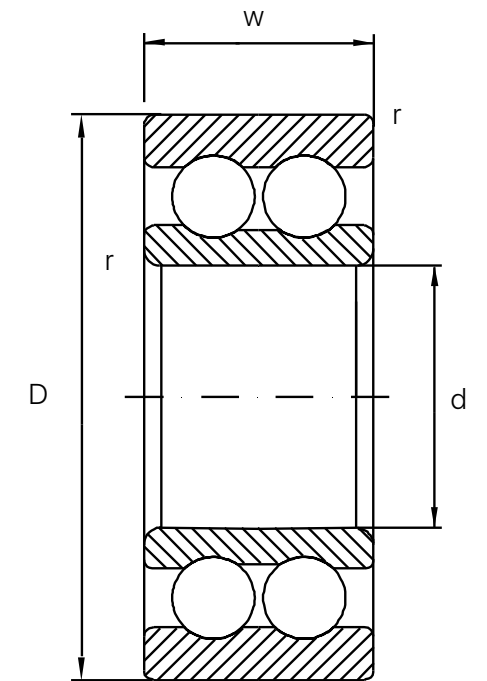
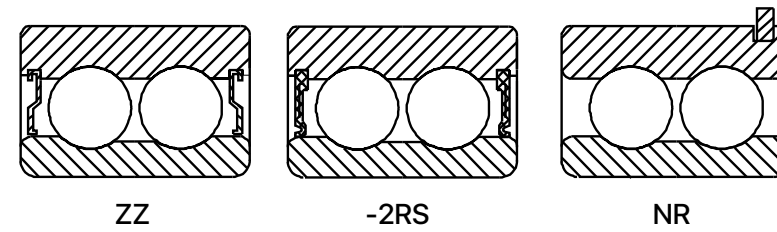
BEARINGS



# BALL BEARINGS

## DOUBLE-ROW ANGULAR CONTACT – NON-FILLING SLOT TYPE – 5300, W5300 SERIES

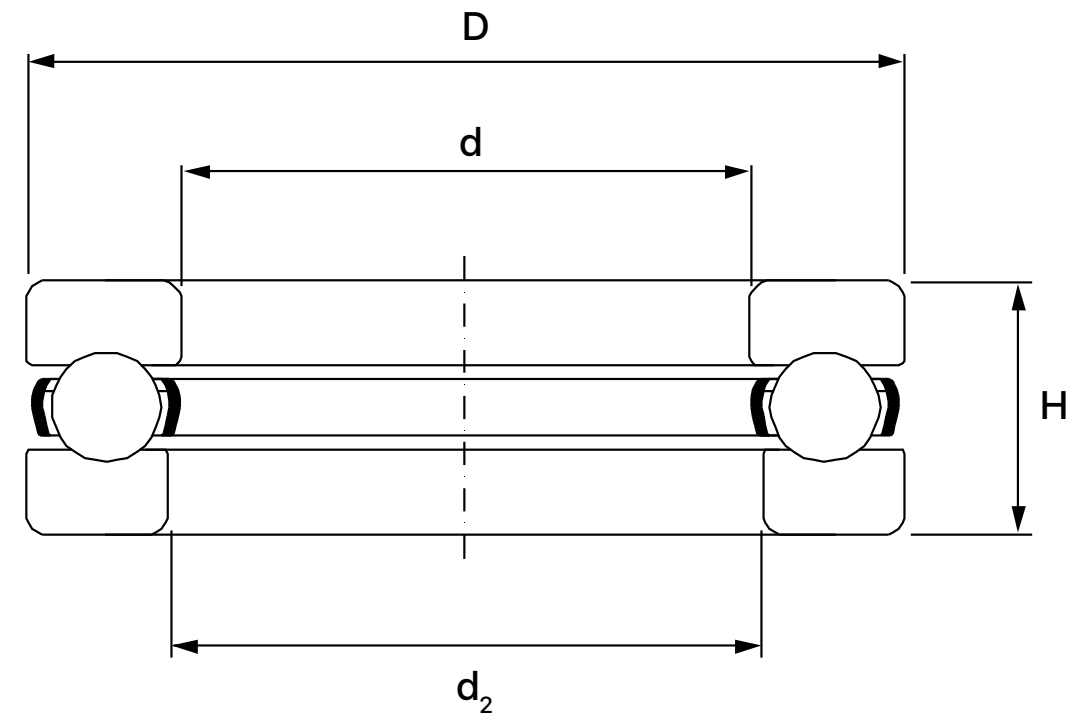
Bearing no.	Bore		Outer diameter		Width			Radius		Basic load rating		Weight
	d		D		W			r		Dynamic (C)	Static (C0)	
	mm	in	mm	in	mm	fraction	in	mm	in	lb	lb	
5300	10	0.3937	35	1.3780	19.050	3/4	0.7500	0.6	0.024	1731	1224	0.22
5301	12	0.4724	37	1.4567	19.050	3/4	0.7500	1.1	0.043	1996	1389	0.23
5302	15	0.5906	42	1.6535	19.050	3/4	0.7500	1.5	0.059	3850	2260	0.38
5303	17	0.6693	47	1.8504	22.225	7/8	0.8750	1.5	0.059	4600	2720	0.49
5304	20	0.7874	52	2.0472	22.225	7/8	0.8750	2.0	0.079	4650	2850	0.51
W5304	20	0.7874	52	2.0472	25.400	1	1.0000	2.0	0.079	4650	2850	0.54
5305	25	0.9843	62	2.4409	25.400	1	1.0000	2.0	0.079	6850	4600	0.75
W5305	25	0.9843	62	2.4409	28.575	11/8	1.1250	2.0	0.079	6850	4600	0.89
5306	30	1.1811	72	2.8346	30.163	13/16	1.1875	2.0	0.079	8900	6200	1.13
W5306	30	1.1811	72	2.8346	33.338	15/16	1.3125	2.0	0.079	8900	6200	1.41
5307	35	1.3780	80	3.1496	34.925	1 3/8	1.3750	2.5	0.098	11100	7850	1.74
W5307	35	1.3780	80	3.1496	38.100	1 1/2	1.5000	2.5	0.098	11100	7850	1.89
5308	40	1.5748	90	3.5433	36.513	1 7/16	1.4375	2.5	0.098	13600	9850	2.32
5309	45	1.7717	100	3.9370	39.688	1 9/16	1.5625	2.5	0.098	16300	12100	3.10
5310	50	1.9685	110	4.3307	44.450	1 3/4	1.7500	3.0	0.118	19200	14500	4.00
5311	55	2.1654	120	4.7244	49.213	1 15/16	1.9375	3.0	0.118	23900	18500	5.11
5312	60	2.3622	130	5.1181	53.975	2 1/8	2.1250	3.5	0.138	27300	21400	6.72
5313	65	2.5591	140	5.5118	58.738	2 5/16	2.3125	3.5	0.138	31000	24600	8.60
5314	70	2.7559	150	5.9055	63.500	2 1/2	2.5000	3.5	0.138	35000	28000	10.80
5315	75	2.9528	160	6.2992	68.263	2 11/16	2.6875	3.5	0.138	38000	31500	12.10
5316	80	3.1496	170	6.6929	68.263	2 11/16	2.6875	3.5	0.138	42000	34500	15.00



# BALL BEARINGS

## SINGLE-DIRECTION THRUST – 51100 METRIC SERIES

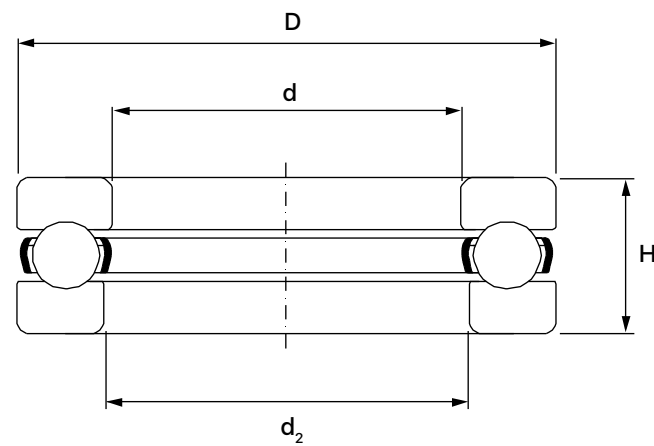
Bearing no.	Bore				Outer diameter		Width		Basic load rating		Weight lb
	d		d <sub>2</sub>		D		H		Dynamic (C)	Static (C <sub>0</sub> )	
	mm	in	mm	in	mm	in	mm	in	lb		
51100	10	0.3937	11	0.433	24	0.9449	9	2250	2250	3150	0.046
51101	12	0.4724	13	0.512	26	1.0236	9	2320	2320	3450	0.051
51102	15	0.5906	16	0.630	28	1.1024	9	2370	2370	3750	0.053
51103	17	0.6693	18	0.709	30	1.1811	9	2430	2430	4100	0.057
51104	20	0.7874	21	0.827	35	1.3780	10	3200	3200	5550	0.088
51105	25	0.9843	26	1.024	42	1.6535	11	4400	4400	8350	0.132
51106	30	1.1811	32	1.260	47	1.8504	11	4600	4600	9500	0.152
51107	35	1.3780	37	1.457	52	2.0472	12	4600	4600	10000	0.187
51108	40	1.5748	42	1.654	60	2.3622	13	6050	6050	14100	0.276
51109	45	1.7717	47	1.850	65	2.5591	14	6250	6250	15500	0.326
51110	50	1.9685	52	2.047	70	2.7559	14	6450	6450	17000	0.355
51111	55	2.1654	57	2.244	78	3.0709	16	7800	7800	20900	0.498
51112	60	2.3622	62	2.441	85	3.3465	17	9300	9300	25300	0.653
51113	65	2.5591	67	2.638	90	3.5433	18	9400	9400	26400	0.745
51114	70	2.7559	72	2.835	95	3.7402	18	9700	9700	28500	0.785
51115	75	2.9528	77	3.031	100	3.9370	19	10000	10000	30500	0.880



## BALL BEARINGS

### SINGLE-DIRECTION THRUST – 51200 METRIC SERIES

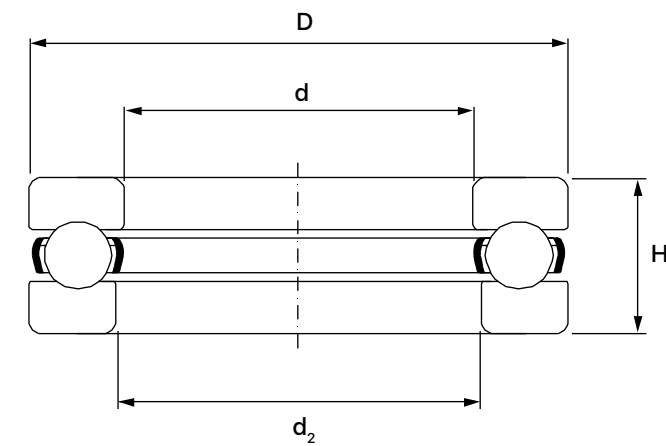
Bearing no.	Bore				Outer diameter		Width		Basic load rating		Weight lb
	d		d <sub>2</sub>		D		H		Dynamic (C)	Static (C <sub>0</sub> )	
	mm	in	mm	in	mm	in	mm	in	lb		
51200	10	0.3937	12	0.472	26	1.0236	11	0.4331	2850	3850	0.066
51201	12	0.4724	14	0.551	28	1.1024	11	0.4331	2960	4250	0.075
51202	15	0.5906	17	0.669	32	1.2598	12	0.4724	3750	5600	0.101
51203	17	0.6693	19	0.748	35	1.3780	12	0.4724	3850	6150	0.119
51204	20	0.7874	22	0.866	40	1.5748	14	0.5512	5000	8500	0.179
51205	25	0.9843	27	1.063	47	1.8504	15	0.5906	6250	11300	0.245
51206	30	1.1811	32	1.260	52	2.0472	16	0.6299	6600	13100	0.306
51207	35	1.3780	37	1.457	62	2.4409	18	0.7087	8800	17600	0.474
51208	40	1.5748	42	1.654	68	2.6772	19	0.7480	10000	22100	0.608
51209	45	1.7717	47	1.850	73	2.8740	20	0.7874	10700	23600	0.699
51210	50	1.9685	52	2.047	78	3.0709	22	0.8661	10900	25100	0.833
51211	55	2.1654	57	2.244	90	3.5433	25	0.9843	15600	35500	1.34
51212	60	2.3622	62	2.441	95	3.7402	26	1.0236	16500	40000	1.49
51213	65	2.5591	67	2.638	100	3.9370	27	1.0630	16800	42500	1.69
51214	70	2.7559	72	2.835	105	4.1339	27	1.0630	17100	44500	1.75
51215	75	2.9528	77	3.031	110	4.3307	27	1.0630	17400	47000	1.93



## BALL BEARINGS

### SINGLE-DIRECTION THRUST – 51300 METRIC SERIES

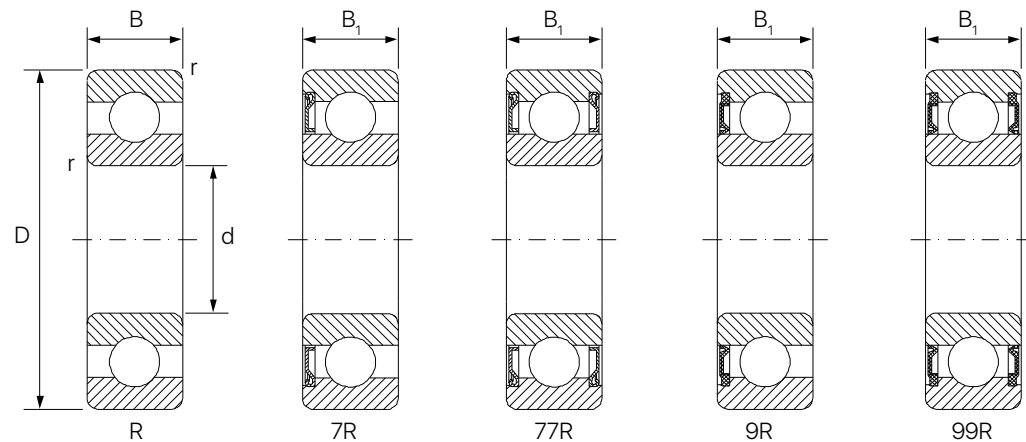
Bearing no.	Bore				Outer diameter		Width		Basic load rating		Weight lb
	d		d <sub>2</sub>		D		H		Dynamic (C)	Static (C <sub>0</sub> )	
	mm	in	mm	in	mm	in	mm	in	lb		
51305	25	0.9843	27	1.063	52	2.0472	18	0.7087	8050	13800	0.388
51306	30	1.1811	32	1.260	60	2.3622	21	0.8268	9600	17700	0.593
51307	35	1.3780	37	1.457	68	2.6772	24	0.9449	12500	23500	0.845
51308	40	1.5748	42	1.654	78	3.0709	26	1.0236	15600	30000	1.21
51309	45	1.7717	47	1.850	85	3.3465	28	1.1024	18000	36500	1.51



## BALL BEARINGS

DEEP GROOVE – TYPE R

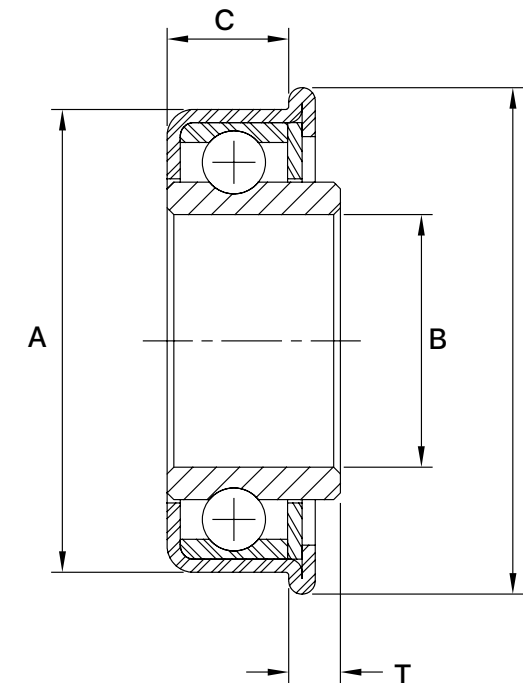
Bearing no.	Bore		Outer diameter		Width				Radius		Basic load rating		Weight lb
	d		D		B		B <sub>1</sub>		r (min.)		Dynamic (C)	Static (C <sub>0</sub> )	
	mm	in	mm	in	mm	in	mm	in	mm	in	lb		
R2	3.175	1/8	9.525	3/8	3.967	5/32	3.967	5/32	0.3	0.12	44	50	0.003
R2A	3.175	1/8	12.7	1/2	4.366	11/64	4.366	11/64	0.3	0.12	58	89	0.007
R3	4.762	1/5	12.7	1/2	3.967	5/32	4.978	0.1960	0.3	0.12	295	110	0.005
R4	6.35	1/4	15.875	5/8	4.978	0.196	4.978	0.1960	0.3	0.12	335	139	0.010
R4A	6.35	1/4	19.05	3/4	5.556	7/32	7.144	9/32	0.4	0.16	525	199	0.017
R6	9.525	3/8	22.225	7/8	5.556	7/32	7.144	9/32	0.4	0.16	745	315	0.024
R8	12.7	1/2	28.575	11/8	6.35	1/4	7.938	5/16	0.4	0.16	1148	535	0.039
R10	15.875	5/8	34.925	13/8	7.144	9/32	8.732	11/32	0.8	0.31	1347	734	0.081
R12	19.05	3/4	41.275	15/8	7.938	5/16	11.113	7/16	0.8	0.31	1770	1018	0.104
R14	22.225	7/8	47.625	17/8	9.525	3/8	12.7	1/2	0.8	0.31	2261	1316	0.157
R16	25.4	1	50.8	2	9.525	3/8	12.7	1/2	0.8	0.31	2261	1316	0.187
R18	28.575	1 1/8	53.975	2 1/8	9.525	3/8	12.7	1/2	0.8	0.31	2150	1407	0.198
R20	31.75	1 1/4	57.15	2 1/4	9.525	3/8	12.7	1/2	0.8	0.31	2973	1858	0.209
R22	34.925	1 1/4	63.5	2 1/2	11.113	7/16	14.288	9/16	0.8	0.31	2756	1910	0.232
R24	38.1	1 1/4	66.675	15/8	11.113	7/16	14.288	9/16	0.8	0.31	2906	2084	0.309



## BALL BEARINGS

CARBONE – HWDG SERIES – FOR HEAVY-DUTY APPLICATIONS

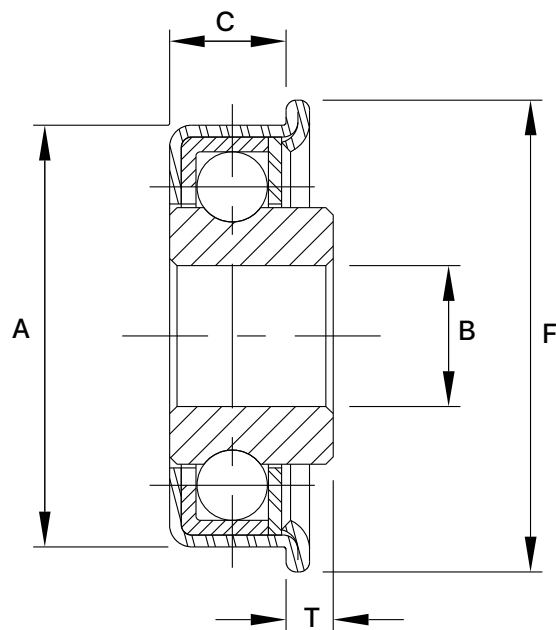
Bearing no.	Item no.	Outside dia.	Bore	C	Flange dia.	T	Radial load rating at 600 RPM lb	Canimex part no.
		A	B		F			
		in	in		in			
C8-22F	HWDG-13A	1.375-1.380	0.501-0.506	3/8	1 1/2	1/8	170	102129
C10-22F	HWDG-13B	1.375-1.380	0.626-0.631	3/8	1 1/2	1/8	170	124833
C12-22F	HWDG-13C	1.375-1.380	0.751-0.756	3/8	1 1/2	1/8	170	102131
C16-32F	HWDG-20B	2.000-2.005	1.007-1.013	7/16	2 1/8	3/16	350	206366



## BALL BEARINGS

CARBONE – HW SERIES – FOR STANDARD APPLICATIONS

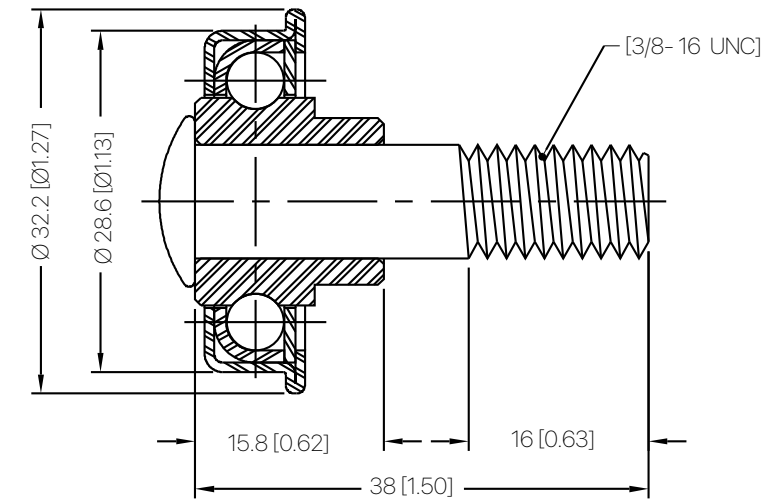
Bearing no.	Item no.	Outside dia.	Bore	C	Flange dia.	T	Radial load rating at 600 RPM	Canimex part no.
		A	B		F			
		in	in	in	in	in	lb	
C6-18F	HW-11A	1.126-1.131	0.376-0.381	5/16	1 1/4	1/8	70	102109
C8-18F	HW-11B	1.126-1.131	0.501-0.506	5/16	1 1/4	1/8	70	102128



## BALL BEARINGS

CARBONE – C6-18FSF

Bearing no.	Outside diameter	Stud diameter	Canimex part no.
C6-18FS-HEX-HR-V1	1.13" (28.6 mm)	3/8" - 16	244709

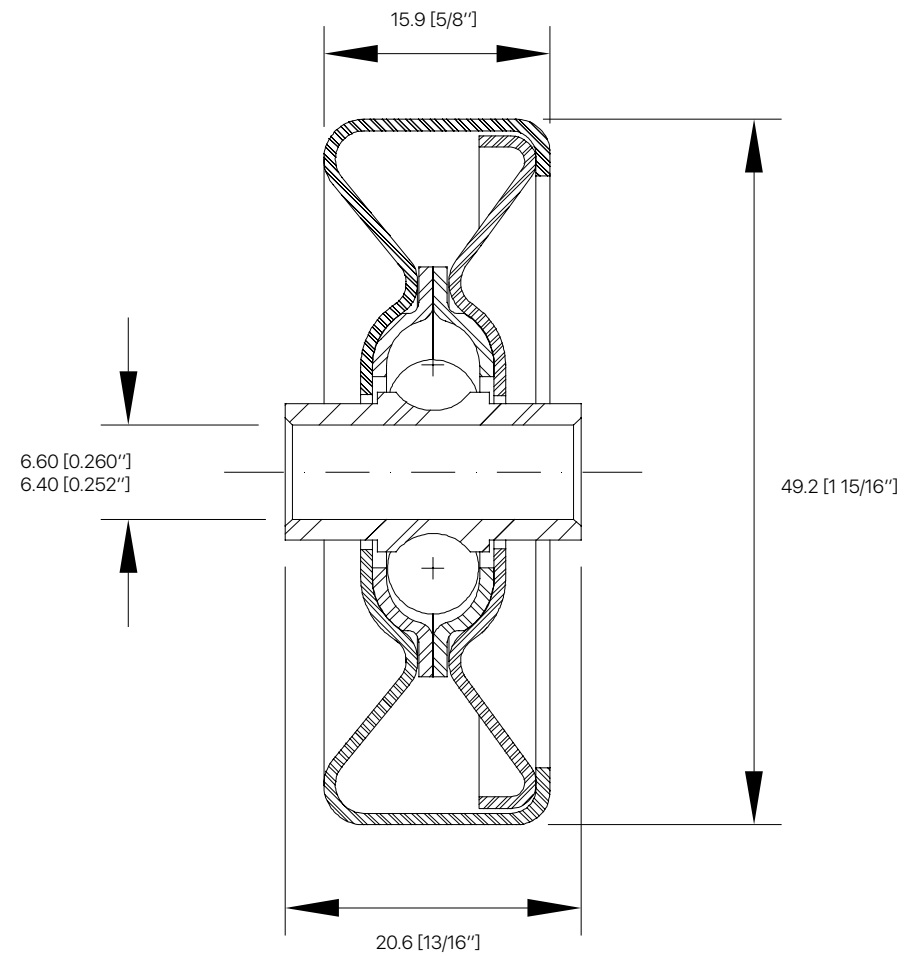


# BALL BEARINGS

CARBONE

50Z (LIGHT OIL – 1/4 RD)

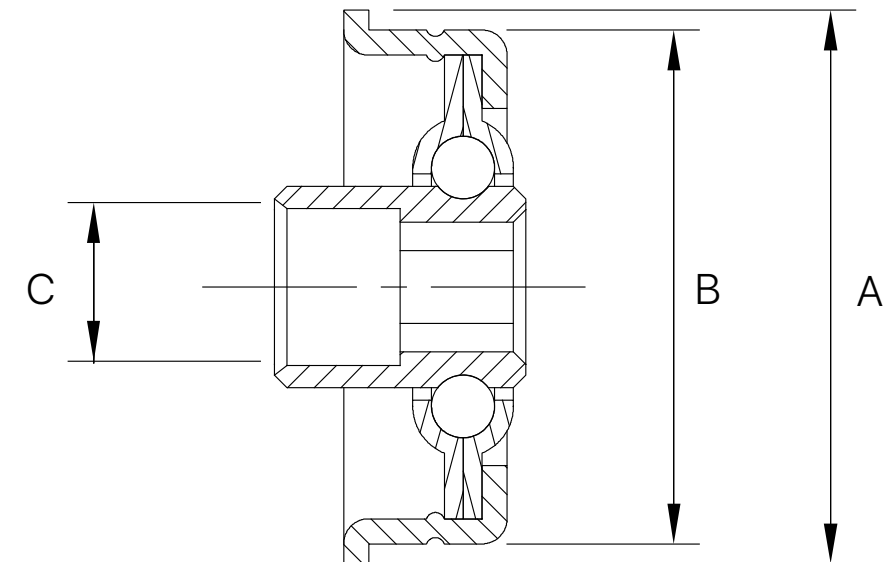
Bearing no.	Outside diameter width	Bore (B)	C	Canimex part no.
50Z	1 15/16" (49.2mm)	0.252-0.260	5/8	179158



# BALL BEARINGS

CONVEYOR

Bearing no.	Flange approx. OD		Bore size	Weight per 1000 units	Standard box quantity
	A	B			
	in	in	C	lb	
1276	1.375	1.277	5/16" Hex	70	1300
2900	1.668	1.530	7/16" Hex	184	500
1721	1.865	1.728	7/16" Hex	164	600
1002	1.903	1.780	1/4" Rd	188	600
2532	2.437	2.270	11/16" Hex	653	150
2537	2.437	2.270	7/16" Hex	734	150



BEARINGS

BEARINGS

# ROLLER BEARINGS – TAPERED

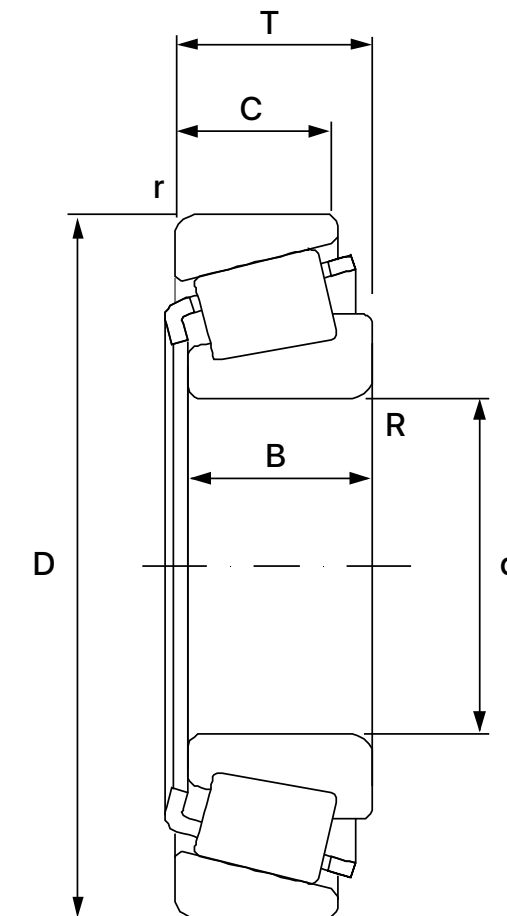
- Good for pure axial loads
- Excellent for pure radial loads
- Superb for combination loads



# ROLLER BEARINGS – TAPERED

METRIC SIZE

Bearing no.	Dimensions (mm)							Basic load rating (N)		Limiting speeds RPM		Mass kg
	d	D	T	B	C	Rmin.	rmin.	Dynamic (C)	Static (C0)	Grease	Oil	
30302	15	42	14.25	13	11	1.0	1.0	21200	12700	9900	13000	0.098
30203	17	40	13.25	12	11	1.0	1.0	17900	11000	9900	13000	0.080
30303		47	15.25	14	12	1.0	1.0	33000	21200	9000	12000	0.134
32004X	20	42	15	15	12	0.6	0.6	22900	15600	9500	13000	0.097
30204		47	15.25	14	12	1.0	1.0	26000	16600	8800	12000	0.127
30304		52	16.25	15	13	1.5	1.5	31900	20000	8000	11000	0.169
32005X	25	47	15	15	11.5	0.6	0.6	25500	18300	7900	11000	0.114
30205		52	16.25	15	13	1.0	1.0	29200	19300	7300	9800	0.154
32205		52	19.25	18	16	1.0	1.0	34100	25000	7300	9800	0.187
30305		62	18.25	17	15	1.5	1.5	41800	26500	6700	8900	0.272
32006X	30	55	17	17	13	1.0	1.0	33600	24500	6900	9200	0.166
30206		62	17.25	16	14	1.0	1.0	38000	25500	6300	8400	0.241
32206		62	21.25	20	17	1.0	1.0	47300	33500	6300	8400	0.301
30306		72	20.75	19	16	1.5	1.5	52800	34500	5700	7600	0.408
32306		72	28.75	27	23	1.5	1.5	72100	52000	5700	7600	0.583
32007X	35	62	18	18	14	1.0	1.0	40200	30500	6100	8100	0.224
30207		72	18.25	17	15	1.5	1.5	48400	32500	5500	7400	0.344
32207		72	24.25	23	19	1.5	1.5	61600	45000	5500	7400	0.457
30307		80	22.75	21	18	2.0	1.5	68200	45000	5000	6600	0.520
32307		80	32.75	31	25	2.0	1.5	89700	65500	5000	6600	0.787
32008X	40	68	19	19	14.5	1.0	1.0	44500	40000	5300	7100	0.278
30208		80	19.75	18	16	1.5	1.5	58300	40000	4900	6600	0.435
32208		80	24.75	23	19	1.5	1.5	70400	50000	4900	6600	0.558
30308		90	25.25	23	20	2.0	1.5	80900	56000	4400	5900	0.769
31308		90	25.25	23	17	2.0	1.5	69300	46500	3900	5200	0.738
32308	90	35.25	32	27	2.0	1.5	110000	83000	4400	5900	1.080	
32009X	45	75	20	20	15.5	1.0	1.0	55000	44000	4800	6400	0.346
30209		85	20.75	19	16	1.5	1.5	62700	44000	4400	5900	0.495
32209		85	24.75	23	19	1.5	1.5	74800	56000	4400	5900	0.607
33209		85	32	32	25	1.5	1.5	101000	81500	4400	5900	0.783
30309		100	27.25	25	22	2.0	1.5	101000	72000	4000	5300	1.010
31309		100	27.25	25	18	2.0	1.5	85800	60000	3500	4600	0.958
32309		100	38.25	36	30	2.0	1.5	132000	102000	4000	5300	1.460
32010X	50	80	20	20	15.5	1.0	1.0	57200	48000	4400	5800	0.366
30210		90	21.75	20	17	1.5	1.5	70400	52000	4000	5300	0.563
32210		90	24.75	23	19	1.5	1.5	70400	52000	4000	5300	0.648
30310		110	29.25	27	23	2.5	2.0	117000	83000	3600	4800	1.310
31310		110	29.25	27	19	2.5	2.0	99000	69500	3200	4200	1.250
32310		110	42.25	40	33	2.5	2.0	161000	127000	3600	4800	1.920

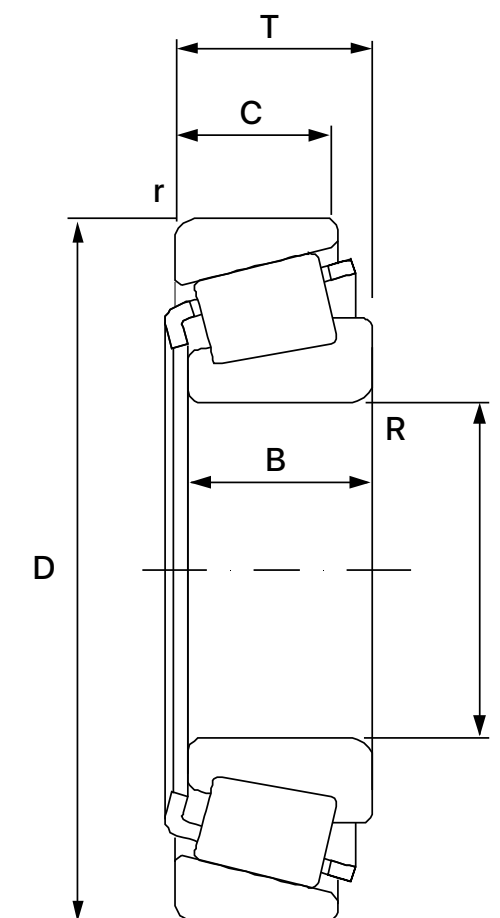




# ROLLER BEARINGS – TAPERED

METRIC SIZE

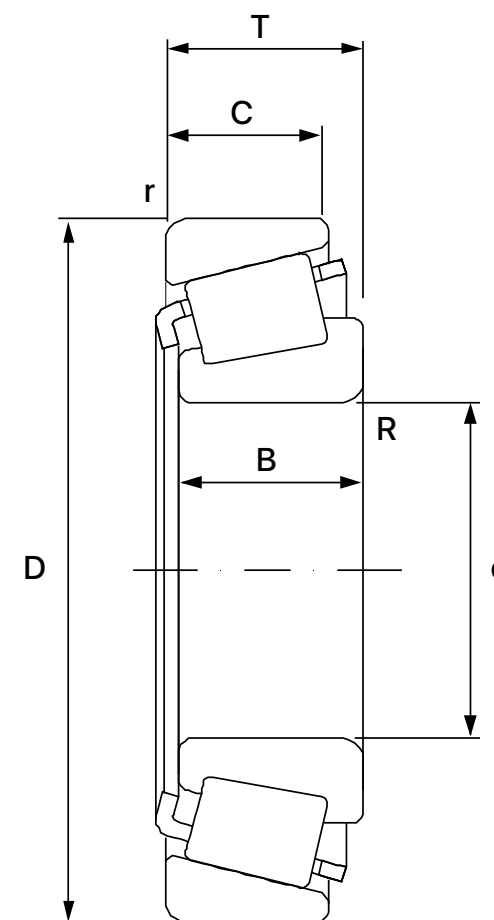
Bearing no.	Dimensions (mm)							Basic load rating (N)		Limiting speeds RPM		Mass kg
	d	D	T	B	C	Rmin.	rmin.	Dynamic (C)	Static (C0)	Grease	Oil	
32011X	55	90	23	23	17.5	1.5	1.5	76500	64000	4000	5400	0.563
30211		100	22.75	21	18	2.0	1.5	84200	61000	3600	4900	0.740
32211		100	26.75	25	21	2.0	1.5	99000	75000	3600	4900	0.876
30311		120	31.5	29	21	2.5	2.0	134000	96500	3300	4400	1.660
31311		120	31.5	29	21	2.5	2.0	114000	80000	2900	3800	1.590
32311		120	45.5	43	35	2.5	2.0	187000	150000	3300	4400	2.440
32012X	60	95	23	23	17.5	1.5	1.5	76500	67000	3700	4900	0.576
30212		110	23.75	22	19	2.0	1.5	91300	65500	3400	4500	0.949
32212		110	29.75	28	24	2.0	1.5	119000	91500	3400	4500	1.180
30312		130	33.5	31	26	3.0	2.5	161000	116000	3000	4000	2.060
32312	130	48.5	46	37	3.0	2.5	216000	173000	3000	4000	3.020	
32013X	65	100	23	23	17.5	1.5	1.5	78100	68000	3400	4600	0.630
30213		120	24.75	23	20	2.0	1.5	108000	78000	3100	4200	1.180
32213		120	32.75	31	27	2.0	1.5	142000	112000	3100	4200	1.580
30313		140	36	33	28	3.0	2.5	183000	134000	2800	3700	2.550
31313		140	36	33	23	3.0	2.5	154000	112000	2500	3300	2.420
32313		140	51	48	39	3.0	2.5	246000	200000	2800	3700	3.660
32014X	70	110	25	25	19	1.5	1.5	95200	83000	3200	4200	0.848
30214		125	26.25	24	21	2.0	1.5	119000	88000	2900	3900	1.260
32214		125	33.25	31	27	2.0	1.5	147000	118000	2900	3900	1.680
31314		150	38	35	25	3.0	2.5	176000	127000	2300	3000	2.920
32015X	75	115	25	25	19	1.5	1.5	99000	88000	3000	4000	0.909
30215		130	27.25	25	22	2.0	1.5	130000	100000	2700	3600	1.410
32215		130	33.25	31	27	2.0	1.5	151000	120000	2700	3600	1.740
32016X	80	125	29	29	22	1.5	1.5	128000	116000	2800	3700	1.280
32216		140	35.25	33	28	2.5	2.0	176000	137000	2500	3400	2.180
32017X	85	130	29	29	22	1.5	1.5	130000	120000	2600	3500	1.350
32217		150	38.5	36	30	2.5	2.0	201000	163000	2400	3200	2.750
32018X	90	140	32	32	24	2.0	1.5	157000	146000	2500	3300	1.790
30218		160	32.5	30	26	2.5	2.0	183000	140000	2200	3000	2.660
32218		160	42.5	40	34	2.5	2.0	238000	193000	2200	3000	3.490
30318		190	46.5	43	36	4.0	3.0	308000	236000	2000	2700	6.030
32020X	100	150	32	32	24	2.0	1.5	161000	150000	2200	3000	1.910
32220		180	49	46	39	3.0	2.5	297000	250000	2000	2700	5.120
32221		105	190	53	50	43	3.0	2.5	341000	290000	1900	2500
32022X	110	170	38	38	29	2.5	2.0	220000	208000	2000	2700	3.070
32024X	120	180	38	38	29	2.5	2.0	229000	224000	1800	2500	3.250
32026X	130	200	45	45	34	2.5	2.0	297000	290000	1700	2200	4.960



# ROLLER BEARINGS – TAPERED

IMPERIAL SIZE

Bearing no.	Boundary dimensions (mm)							Basic load rating (kn)		Limiting speeds RPM		Mass kg
	d	D	T	B	C	Rmin.	rmin.	Dynamic (C)	Static (C0)	Grease	Oil	
LM11949/LM11910	0.750	1.781	0.610	0.655	0.475	0.050	0.050	33.8	27.5	13000	16000	0.12
L44643/L44610	1.000	1.980	0.560	0.580	0.420	0.050	0.050	32	30	11000	13000	0.13
L44649/L44610	1.063	1.980	0.560	0.580	0.420	0.140	0.050	32	30	11000	13000	0.12
LM67048/LM67010	1.250	2.328	0.625	0.660	0.465	0.158	0.050	42.8	41.5	9500	11000	0.18
15123/15245	1.250	2.441	0.715	0.750	0.563	0.142	0.050	59.5	57	9000	11000	0.24
14125A/14276	1.250	2.717	0.781	0.771	0.625	0.140	0.050	48.5	58	5600	7400	0.36
LM48548/LM48510	1.375	2.563	0.710	0.720	0.550	0.154	0.050	58	57	8500	10000	0.26
25877/25821	1.375	2.875	0.940	0.969	0.750	0.059	0.032	72.1	88	7000	10000	0.47
L68149/L68110	1.378	2.328	0.625	0.660	0.470	0.203	0.050	40.6	44	9000	11000	0.17
L68149/L68111	1.378	2.362	0.625	0.660	0.470	0.203	0.050	40.6	44	9000	11000	0.18
LM29749/LM29710	1.500	2.563	0.710	0.720	0.550	0.090	0.050	53	57	8000	10000	0.24
LM501349/LM501310	1.625	2.891	0.770	0.780	0.580	0.137	0.310	56	69.5	5000	6600	.34
25580/25520	1.750	3.265	0.938	1.000	0.750	0.140	0.030	59.5	57	9000	11000	0.24
25580/25520	1.750	3.265	0.938	1.000	0.750	0.140	0.030	99.1	106	6700	8000	0.57
LM603049/LM603011	1.781	3.063	0.781	0.781	0.594	0.140	0.030	66.8	69.5	7000	8500	0.37
25590/25520	1.796	3.265	0.938	1.000	0.750	0.140	0.030	99.1	106	6700	8000	0.55
3780/3720	2.000	3.672	1.190	1.193	0.935	0.138	0.130	110	146	5300	7500	0.85
JLM506849/810	2.165	3.5433	0.905	0.905	0.728	0.060	0.020	77.5	109	3900	2300	0.56
387/382A	2.250	3.813	0.830	0.864	0.625	0.09	0.03	80.9	102	5000	7500	0.59
28995/28921	2.470	3.737	1.000	1.000	0.781	0.138	0.130	90.5	134	3500	4700	0.70
39585/39520	2.500	4.438	0.938	1.187	0.935	0.154	0.130	175	204	4500	5600	1.26
47687/47620	3.250	5.250	1.313	1.312	1.030	0.268	0.130	153	235	2600	3500	1.94



# UNITS

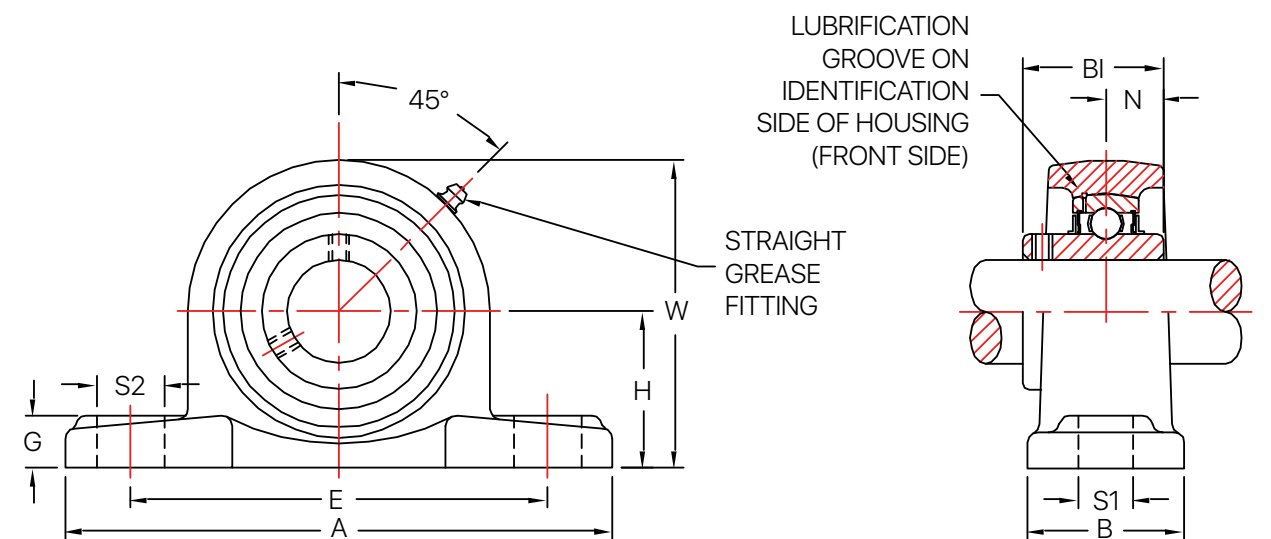
- Already assembled
- Ready to use
- Low radial and/or axial loads



# UNITS

## PILLOW BLOCK – UCP 200 TYPE NORMAL DUTY – SET SCREW

Bearing no.	Shaft dia.		Dimensions (in)										Bolt used	Wgt lb	
	in	mm	H	A	E	B	S2	S1	G	W	BI	N			
UCP 201-08	1/2	--													
UCP 202-10	5/8	--													
UCP 201	--	12	1 3/16	5	3 3/4	1 1/2	3/4	1/2	9/16	2 7/16	1.2205	0.5000	3/8	1.72	
UCP 202	--	15													
UCP 203	--	17													
UCP 204-12	3/4	--	1 5/16	5	3 3/4	1 1/2	3/4	1/2	9/16	2 9/16	1.2205	0.5000	3/8	1.46	
UCP 204	--	20													
UCP 205-14	7/8	--													
UCP 205-15	15/16	--	1 7/16	5 1/2	4 1/8	1 1/2	3/4	1/2	19/32	2 25/35	1.3425	0.5630	3/8	1.90	
UCP 205-16	1	--													
UCP 205	--	25													
UCP 206-18	1 1/8	--													
UCP 206-19	1 3/16	--	1 11/16	6 1/2	4 3/4	1 7/8	25/32	43/64	21/32	3 5/16	1.5000	0.6260	1/2	3.11	
UCP 206-20	1 1/4	--													
UCP 206	--	30													
UCP 207-20	1 1/4	--													
UCP 207-22	1 3/8	--	1 7/8	6 9/16	5	1 7/8	25/32	43/64	45/64	3 21/32	1.6890	0.6890	1/2	3.66	
UCP 207	--	35													
UCP 208-24	1 1/2	--	1 15/16	7 1/4	5 13/32	2 1/8	25/32	43/64	45/64	3 15/16	1.9370	0.7480	1/2	4.67	
UCP 208	--	40													
UCP 209-26	1 5/8	--													
UCP 209-28	1 3/4	--	2 1/8	7 15/32	5 3/4	2 1/8	25/32	43/64	25/32	4 11/16	1.9370	0.7480	1/2	5.29	
UCP 209	--	45													
UCP 210-30	1 7/8	--													
UCP 210-31	1 15/16	--	2 1/4	8 1/8	6 1/4	2 3/8	29/32	25/32	53/64	4 29/64	2.0315	0.7480	5/8	6.48	
UCP 210	--	50													
UCP 211-32	2	--	2 1/2	8 5/8	6 47/64	2 3/8	29/32	25/32	29/32	4 59/64	2.1890	0.8740	5/8	8.07	
UCP 211	--	55													
UCP 212-36	2 1/4	--													
UCP 212-39	2 7/16	--	2 3/4	9 1/2	7 1/4	2 3/4	29/32	25/32	63/64	5 7/16	2.5630	1.0000	5/8	11.30	
UCP 212	--	60													
UCP 213-40	2 1/2	--	3	10 7/16	8	2 3/4	13/32	63/64	11/16	5 29/32	2.5630	1.0000	3/4	13.40	
UCP 213	--	65													
UCP 215-47	2 15/16	--													
UCP 215-48	3	--	3 1/4	10 53/64	8 35/64	2 29/32	63/64	13/32	13/32	6 3/8	3.0630	1.3110	3/4	15.60	
UCP 215	--	75													



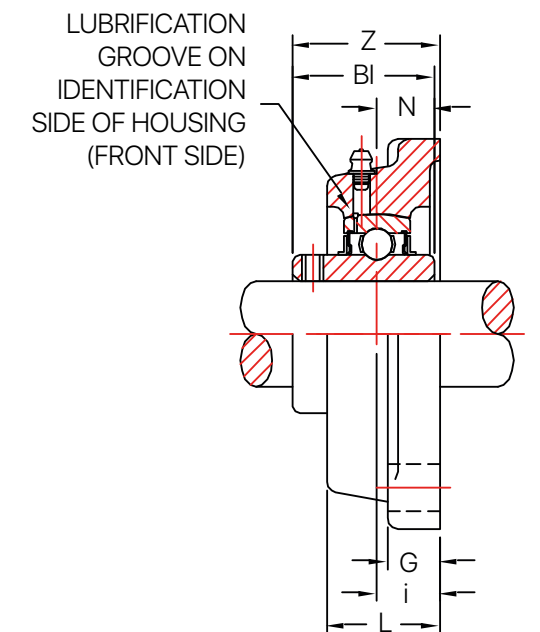
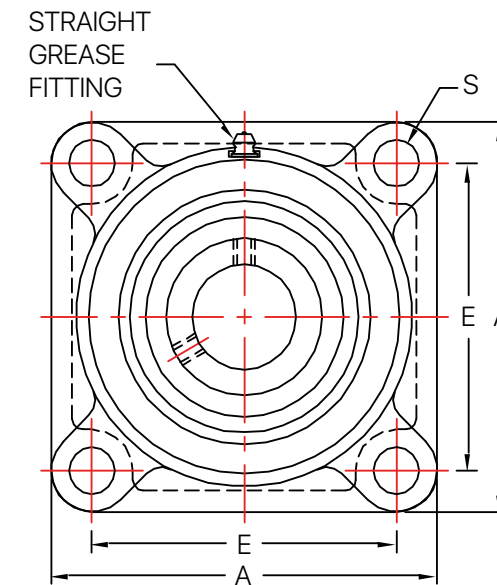
BEARINGS

BEARINGS

# UNITS

## 4-BOLT FLANGE- UCF 200 TYPE NORMAL DUTY – SET SCREW

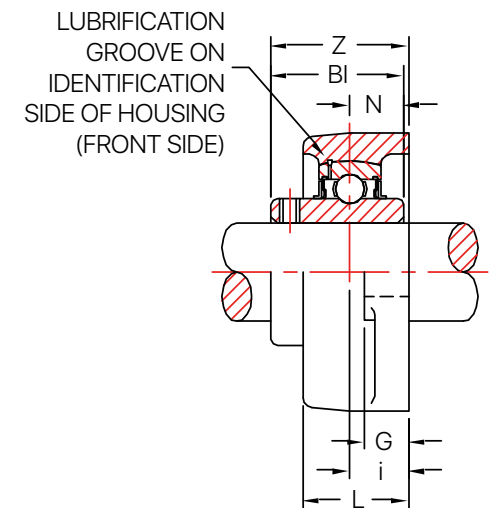
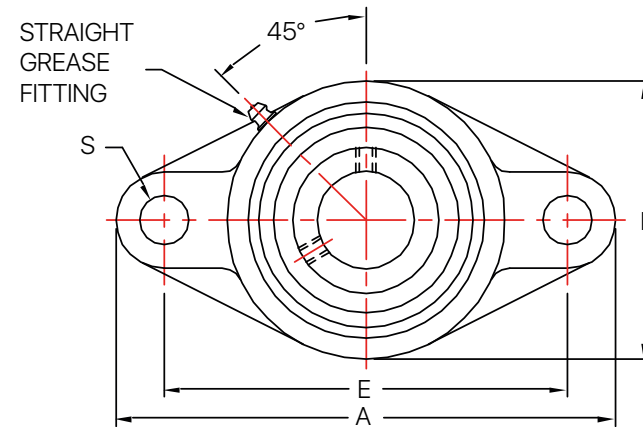
Bearing no.	Shaft dia.		Dimensions (in)									Bolt used	Wgt lb	
	in	mm	A	E	i	G	L	S	Z	BI	N			
UCF 201-08	1/2	--												
UCF 202-10	5/8	--												
UCF 204-12	3/4	--												
UCF 201	--	12	3 3/8	2 33/64	19/32	15/32	1	15/32	15/16	1.2205	0.5000	3/8	1.43	
UCF 202	--	15												
UCF 203	--	17												
UCF 204	--	20												
UCF 205-14	7/8	--												
UCF 205-15	15/16	--												
UCF 205-16	1	--	3 3/4	2 3/4	5/8	35/64	11/16	15/32	113/32	1.3425	0.5630	3/8	1.87	
UCF 205	--	25												
UCF 206-18	1 1/8	--												
UCF 206-19	1 3/16	--												
UCF 206-20	1 1/4	--												
UCF 206	--	30												
UCF 207-20	1 1/4	--												
UCF 207-22	1 3/8	--	4 39/64	3 5/8	3/4	5/8	111/32	35/64	1 3/4	1.6890	0.6890	7/16	3.53	
UCF 207	--	35												
UCF 208-24	1 1/2	--												
UCF 208	--	40												
UCF 209-26	1 5/8	--												
UCF 209-28	1 3/4	--	5 13/32	4 9/64	55/64	23/32	1 1/2	5/8	2 1/16	1.9370	0.7480	1/2	5.25	
UCF 209	--	45												
UCF 210-30	1 7/8	--												
UCF 210-31	1 15/16	--												
UCF 210	--	50												
UCF 211-32	2	--												
UCF 211	--	55												
UCF 212-36	2 1/4	--												
UCF 212-39	2 7/16	--	6 57/64	5 5/8	19/64	25/32	157/64	3/4	2 45/64	2.5630	1.0000	5/8	10.80	
UCF 212	--	60												
UCF 213-40	2 1/2	--												
UCF 213	--	65												
UCF 215-47	2 15/16	--												
UCF 215-48	3	--	7 7/8	6 17/64	111/32	55/64	2 7/32	3/4	3 3/32	3.0630	1.3110	5/8	13.95	
UCF 215	--	75												
UCF 218-56	3 1/2	--												
UCF 218	--	90												



# UNITS

## 2-BOLT FLANGE- UCFL 200 TYPE NORMAL DUTY – SET SCREW

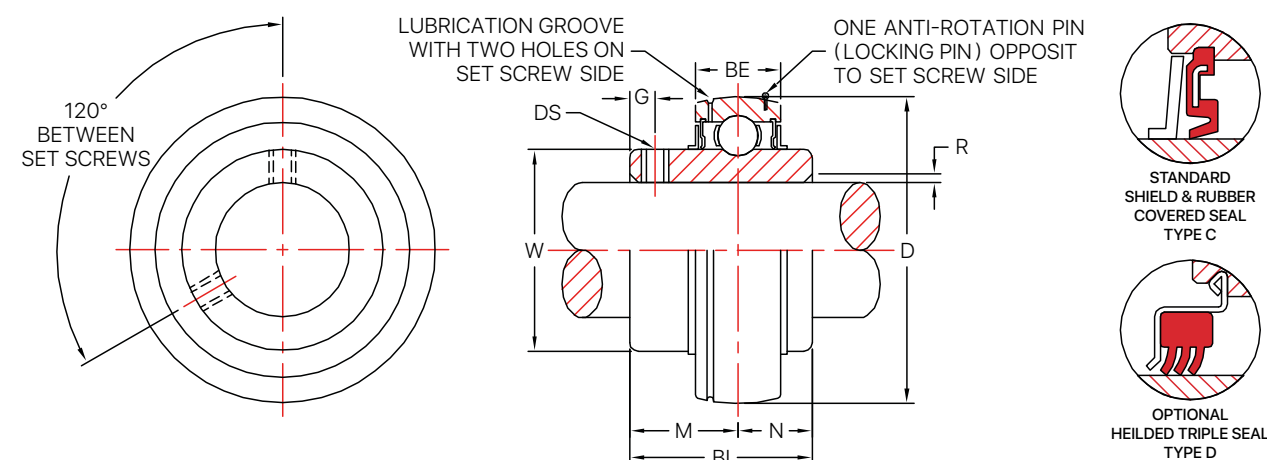
Bearing no.	Shaft dia.		Dimensions (in)										Bolt used	Wgt lb
	in	mm	A	E	i	G	L	S	B	Z	BI	N		
UCFL 201-08	1/2	--	4 7/16	3 35/64	19/32	7/16	1	15/32	2 3/8	15/16	1.2205	0.5000	3/8	1.10
UCFL 202-10	5/8	--												
UCFL 204-12	3/4	--												
UCFL 201	--	12												
UCFL 202	--	15	5 1/8	3 57/64	5/8	1/2	11/16	5/8	2 11/16	1 13/32	1.3425	0.5630	1/2	1.54
UCFL 203	--	17												
UCFL 204	--	20												
UCFL 205-14	7/8	--												
UCFL 205-15	15/16	--	5 13/16	4 39/64	45/64	1/2	17/32	5/8	3 5/32	1 19/32	1.5000	0.6260	1/2	2.16
UCFL 205-16	1	--												
UCFL 205	--	25												
UCFL 206-18	1 1/8	--												
UCFL 206-19	1 3/16	--	6 11/32	5 1/8	3/4	35/64	1 13/32	5/8	3 35/64	1 3/4	1.6890	0.6890	1/2	2.98
UCFL 206-20	1 1/4	--												
UCFL 206	--	30												
UCFL 207-20	1 1/4	--												
UCFL 207-22	1 3/8	--	6 7/8	5 43/64	53/64	35/64	1 13/32	5/8	3 15/16	2 1/64	1.9370	0.7480	1/2	3.73
UCFL 207	--	35												
UCFL 208-24	1 1/2	--												
UCFL 208	--	40												
UCFL 209-26	1 5/8	--	7 13/32	5 53/64	55/64	19/32	1 1/2	3/4	4 1/4	2 1/16	1.9370	0.7480	5/8	4.50
UCFL 209-28	1 3/4	--												
UCFL 209	--	45												
UCFL 210-30	1 7/8	--												
UCFL 210-31	1 15/16	--	7 3/4	6 3/16	55/64	19/32	1 9/16	3/4	4 17/32	2 5/32	2.0315	0.7480	5/8	5.07
UCFL 210	--	50												
UCFL 211-32	2	--												
UCFL 211	--	55												
UCFL 212-36	2 1/4	--	9 27/32	7 61/64	19/64	23/32	1 7/8	29/32	5 1/2	2 23/32	2.5630	1.0000	3/4	9.48
UCFL 212-39	2 7/16	--												
UCFL 212	--	60												
UCFL 213-40	2 1/2	--												
UCFL 213	--	65	10 5/32	8 17/64	13/16	7/8	1 31/32	29/32	6 3/32	2 3/4	2.5630	1.0000	3/4	11.90
UCFL 215-47	2 15/16	--												
UCFL 215-48	3	--												
UCFL 215	--	75												



# UNITS

## UC INSERT – SL, L3 TYPE SEAL

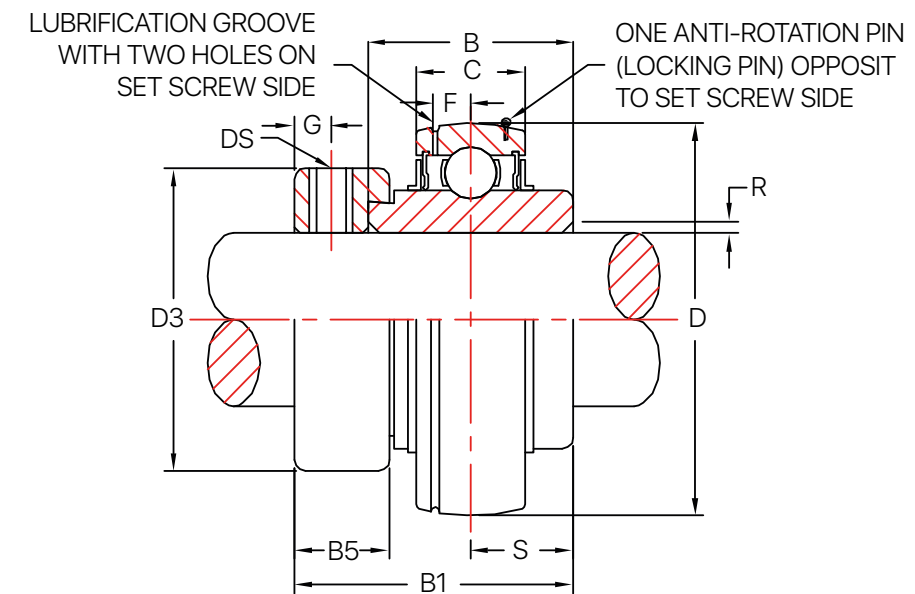
Bearing no.	Shaft dia.		Dimensions (in)								Load rating (lb)		Wgt lb
	in	mm	D	BI	BE	N	M	G	DS	F	Dynamic	Static	
UC 201-08	1/2	--											0.44
UC 202-10	5/8	--											0.42
UC 204-12	3/4	--											0.35
UC 201	--	12	1.8504	1.2205	0.6693	0.5000	0.7205	0.1770	1/4-28	0.1460	2900	1500	0.46
UC 202	--	15											0.42
UC 203	--	17											0.40
UC 204	--	20											0.35
UC 205-14	7/8	--											0.49
UC 205-15	15/16	--	2.0472	1.3425	0.6693	0.5630	0.7756	0.1970	1/4-28	0.1540	3150	1800	0.44
UC 205-16	1	--											0.42
UC 205	--	25											0.42
UC 206-18	1 1/8	--											0.75
UC 206-19	1 3/16	--	2.4409	1.5000	0.7480	0.6260	0.8740	0.1970	1/4-28	0.1970	4400	2540	0.71
UC 206-20	1 1/4	--											0.66
UC 206	--	30											0.66
UC 207-20	1 1/4	--											1.15
UC 207-22	1 3/8	--	2.8346	1.6890	0.7870	0.6890	1.0000	0.2755	5/16-24	0.2240	5800	3450	1.06
UC 207	--	35											1.01
UC 208-24	1 1/2	--	3.1496	1.9370	0.8270	0.7480	1.1890	0.3150	5/16-24	0.2440	6630	4070	1.50
UC 208	--	40											1.39
UC 209-26	1 5/8	--											1.72
UC 209-28	1 3/4	--	3.3465	1.9370	0.8660	0.7480	1.1890	0.3150	5/16-24	0.2520	7100	4630	1.54
UC 209	--	45											1.50
UC 210-30	1 7/8	--											1.87
UC 210-31	1 15/16	--	3.5433	2.0315	0.9449	0.7480	1.2835	0.3940	3/8-24	0.2560	7870	5210	1.76
UC 210-32	2	--											1.78
UC 210	--	50											1.72
UC 211-32	2	--	3.9370	2.1890	0.9843	0.8740	1.3150	0.3940	3/8-24	0.2760	9800	6570	2.69
UC 211	--	55											2.36
UC 212-36	2 1/4	--											3.64
UC 212-39	2 7/16	--	4.3307	2.5630	1.0630	1.0000	1.5630	0.3940	3/8-24	0.2990	10720	7400	3.13
UC 212	--	60											3.33
UC 213-40	2 1/2	--	4.7244	2.5630	1.1024	1.0000	1.5630	0.3940	3/8-24	0.3350	13000	9000	4.15
UC 213	--	65											3.97
UC 215-47	2 15/16	--											5.17
UC 215-48	3	--	5.1181	3.0630	1.1811	1.3110	1.7520	0.4720	7/16-20	0.3620	14830	11130	4.93
UC 215	--	75											4.86



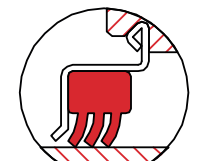
# UNITS

## HC INSERT – SL, L3 TYPE SEAL

Bearing no.	Shaft dia.		Dimensions (in)										Load rating (lb)		Wgt lb
	in	mm	D	B1	B	C	S	DS	G	B5	D3	F	Dynamic	Static	
HC 201-08	1/2	--													
HC 202-10	5/8	--													
HC 204-12	3/4	--													
HC 201	--	12	1.8504	1.7200	1.3465	0.6693	0.6730	1/4-28	0.1890	0.5310	1.3110	0.1460	2900	1500	0.55
HC 202	--	15													0.53
HC 203	--	17													0.52
HC 204	--	20													0.50
HC 205-14	7/8	--													0.59
HC 205-15	15/16	--	2.0472	1.7480	1.3740	0.6693	0.6890	1/4-28	0.1890	0.5310	1.5000	0.1540	3150	1800	0.55
HC 205-16	1	--													0.53
HC 205	--	25													0.59
HC 206-18	1 1/8	--													0.96
HC 206-19	1 3/16	--	2.4409	1.9060	1.4370	0.7480	0.7200	5/16-24	0.2360	0.6260	1.7520	0.1970	4400	2540	0.93
HC 206-20	1 1/4	--													0.92
HC 206	--	30													0.92
HC 207-20	1 1/4	--													1.47
HC 207-22	1 3/8	--	2.8346	2.0120	1.4803	0.7874	0.7400	5/16-24	0.2680	0.6890	2.1890	0.2240	5800	2450	1.32
HC 207	--	35													1.32
HC 208-24	1 1/2	--	3.1496	2.2170	1.6850	0.8270	0.8430	5/16-24	0.2680	0.7200	2.3740	0.2440	6630	4070	1.85
HC 208	--	40													1.74
HC 209-26	1 5/8	--													2.05
HC 209-28	1 3/4	--	3.3465	2.2170	1.6850	0.8661	0.8430	5/16-24	0.2680	0.7200	2.5000	0.2520	7100	4630	1.91
HC 209	--	45													1.87
HC 210-30	1 7/8	--													2.38
HC 210-31	1 15/16	--	3.5433	2.4690	1.9370	0.9449	0.9690	5/16-24	0.2680	0.7200	2.7520	0.2560	7870	5210	2.24
HC 210-32	2	--													2.11
HC 210	--	50													2.19
HC 211-32	2	--	3.9370	2.8110	2.1850	0.9843	1.0940	3/8-24	0.3150	0.8150	3.0000	0.2760	9800	6570	3.34
HC 211	--	55													2.90
HC 212-36	2 1/4	--													4.49
HC 212-39	2 7/16	--	4.3307	3.0630	2.4370	1.0630	1.2200	3/8-24	0.3150	0.8780	3.3150	0.2990	10720	7400	3.89
HC 212	--	60													4.13
HC 213-40	2 1/2	--	4.7244	3.3740	2.7008	1.1024	1.3430	3/8-24	0.3350	0.9250	3.3860	0.3350	13000	9000	5.52
HC 213	--	65													5.30
HC 215-47	2 15/16	--													6.36
HC 215-48	3	--	5.1181	3.6260	2.9528	1.1811	1.4690	3/8-24	0.3350	0.9250	4.0160	0.3620	14830	11130	6.03
HC 215	--	75													6.25



STANDARD SHIELD & RUBBER COVERED SEAL TYPE C



OPTIONAL HELI-DEE TRIPLE SEAL TYPE D



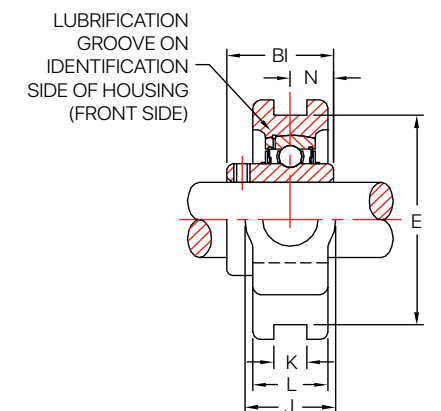
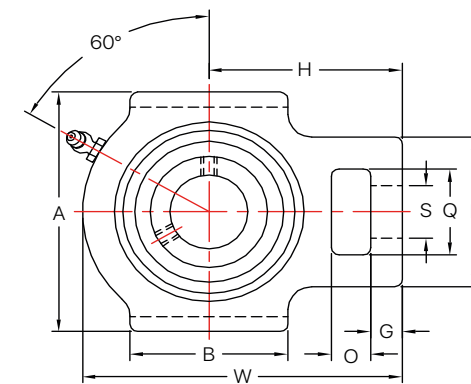
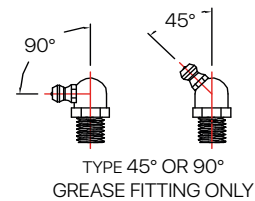
# UNITS

## TAKE UP – UCST 200 TYPE NORMAL DUTY – SET SCREW

Bearing no.	Shaft dia. in	Dimensions (in)					
		O	G	P	Q	S	B
UCST 204-12	3/4	5/8	25/64	11/64	11/4	3/4	2 1/64
UCST 205-14	7/8	5/8	25/64	11/64	11/4	55/64	2 1/64
UCST 205-15	15/16						
UCST 205-16	1						
UCST 206-17	11/16						
UCST 206-18	11/8	5/8	25/64	2 7/32	115/32	55/64	2 1/4
UCST 206-19	13/16						
UCST 206-20	11/4						
UCST 207-20	11/4						
UCST 207-21	15/16	5/8	33/64	2 33/64	129/64	55/64	2 33/64
UCST 207-22	13/8						
UCST 207-23	17/16						
UCST 208-24	11/2						
UCST 208-25	19/16	3/4	5/8	3 17/64	115/16	19/64	3 17/64
UCST 209-26	15/8						
UCST 209-27	111/16	3/4	5/8	3 17/64	115/16	19/64	3 17/64
UCST 209-28	13/4						
UCST 210-30	17/8	3/4	5/8	3 17/64	115/16	19/64	3 17/64
UCST 210-31	115/16						
UCST 210-32	2						
UCST 211-32	2	63/64	3/4	4 1/64	2 1/32	13/8	3 3/4
UCST 211-34	2 1/8						
UCST 211-35	2 3/16						
UCST 212-36	2 1/4	117/64	3/4	4 1/64	2 1/32	13/8	4 1/64
UCST 212-38	2 3/8						
UCST 212-39	2 7/16						
UCST 213-40	2 1/2						



Dimensions (in)									Bearing no.	Housing no.	Weight kg
K	E	A	W	J	L	H	BI	N			
17/32	2 63/64	3 1/2	3 11/16	11/4	15/16	2 13/32	1.2205	0.500	UC204-12	ST204	0.83
17/32	2 63/64	3 1/2	3 13/16	11/4	15/16	2 7/16	1.3425	0.563	UC205-14	ST205	0.84
									UC205-15	ST205	0.82
									UC205-16	ST205	0.81
									UC206-17	ST206	1.10
17/32	3 1/2	4 1/64	4 29/64	129/64	15/16	2 3/4	1.5000	0.626	UC206-18	ST206	0.97
									UC206-19	ST206	1.09
									UC206-20	ST206	1.08
									UC207-20	ST207	1.50
17/32	3 1/2	4 1/64	5 5/64	129/64	13/16	3 5/64	1.6890	0.689	UC207-21	ST207	1.46
									UC207-22	ST207	1.44
									UC207-23	ST207	1.41
11/16	4 1/64	4 31/64	5 43/64	115/16	119/64	3 1/2	1.9370	0.748	UC208-24	ST208	2.44
									UC208-25	ST208	2.41
11/16	4 1/64	4 39/64	5 43/64	115/16	13/8	3 27/64	1.9370	0.748	UC209-26	ST209	2.46
									UC209-27	ST209	2.42
									UC209-28	ST209	2.38
11/16	4 1/64	4 39/64	5 55/64	115/16	13/8	3 35/64	2.0315	0.748	UC210-30	ST210	2.40
									UC210-31	ST210	2.35
									UC210-32	ST210	2.31
11/16	5 1/8	5 3/4	6 47/64	2 33/64	15/8	4 11/64	2.1890	0.874	UC211-32	ST211	4.42
									UC211-34	ST211	4.31
									UC211-35	ST211	4.25
11/16	5 1/8	5 3/4	7 41/64	2 33/64	113/16	4 11/16	2.5830	1.000	UC212-36	ST212	5.35
									UC212-38	ST212	5.2
									UC212-39	ST212	5.13
11/16	5 15/16	6 37/64	8 13/16	2 3/4	2	5 25/64	2.5630	1.000	UC213-40	ST213	7.52

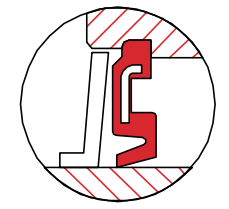
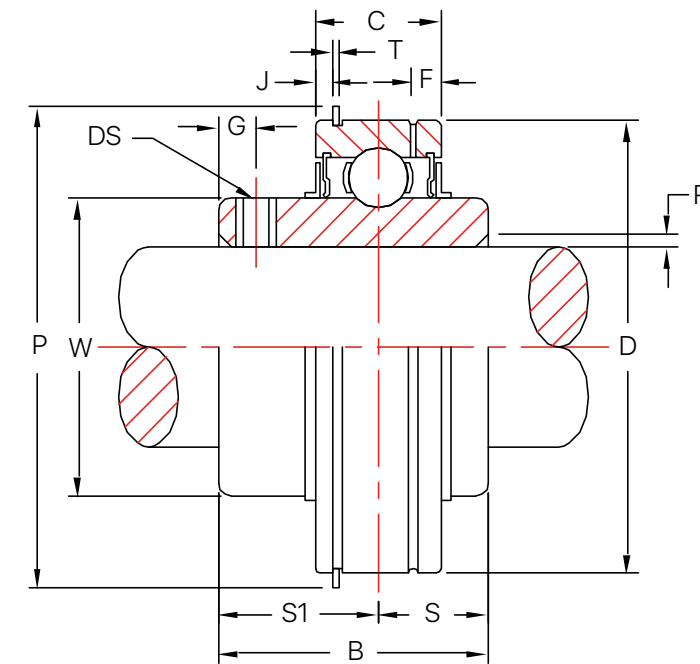


# UNITS

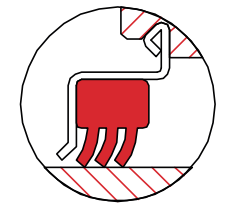
## SER INSERT – SL, L3 TYPE SEAL

Bearing no.	Shaft dia.	Dimensions (in)					
	in	D	B	C	S	S1	T
SER 204-12	3/4	1.8504	1.2205	0.6260	0.4060	0.8150	0.0440
SER 205-14	7/8	2.0472	1.3740	0.7480	0.5160	0.8580	0.0440
SER 205-15	15/16						
SER 205-16	1	2.4409	1.5000	0.8740	0.6260	0.8740	0.0670
SER 206-18	11/8						
SER 206-19	13/16						
SER 206-20	11/4						
SER 207-20	11/4	2.8346	1.6890	0.9370	0.6890	1.0000	0.0670
SER 207-22	13/8						
SER 208-24	11/2	3.1496	1.9370	1.0945	0.7480	1.1890	0.0670
SER 209-26	15/8	3.3465	1.9370	1.0945	0.7480	1.1890	0.0670
SER 209-28	13/4						
SER 210-30	17/8	3.5433	2.0315	1.1260	0.7480	1.2830	0.0970
SER 210-31	1 15/16						
SER 210-32	2						
SER 211-32	2	3.9370	2.1890	1.1890	0.8740	1.3150	0.0970
SER 212-39	2 7/16	4.3307	2.5630	1.2520	1.0000	1.5630	0.0970
SER 215-47	2 15/16	5.1181	3.0630	1.5000	1.3110	1.7520	0.1220

Dimensions (in)					Load rating (lb)		Weight
F	J	P	G	DS	Dynamic	Static	lb
0.1500	0.0970	2.0500	0.1890	1/4-28	2880	1500	0.26
0.2050	0.0970	2.2800	0.1970	1/4-28	3150	1760	0.39
							0.37
0.2200	0.1290	2.6650	0.1970	1/4-28	4400	2540	0.35
							0.75
0.2200	0.1290	3.0940	0.2640	5/16-24	5800	3450	0.71
							0.66
0.2520	0.1290	3.4090	0.3150	5/16-24	6630	4070	1.15
							1.06
0.2520	0.1290	3.6060	0.3150	5/16-24	7100	4630	1.50
							1.72
0.2950	0.1290	3.7990	0.3940	3/8-24	7870	5210	1.54
							1.87
0.2950	0.1290	4.1930	0.3940	3/8-24	9800	6570	1.76
							1.78
0.2950	0.1290	4.5910	0.3940	3/8-24	10720	7400	2.42
							3.16
0.4063	0.1640	5.5000	0.4720	7/16-20	14830	11130	5.17



STANDARD SHIELD & RUBBER COVERED SEAL TYPE C



OPTIONAL HELIIDDEN TRIPLE SEAL TYPE D

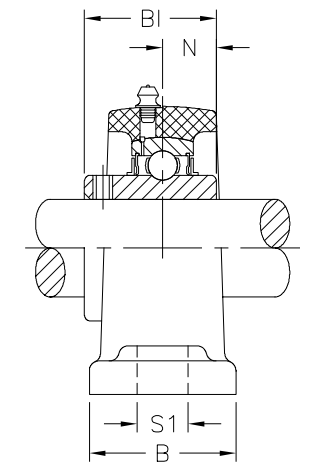
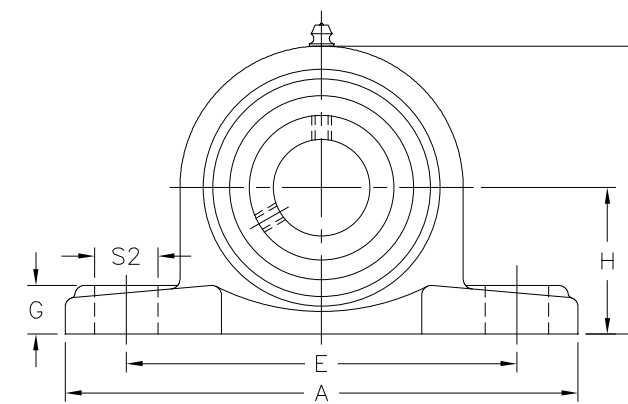
# UNITS

## MOUNTED UNITS – THERMOPLASTIC – HOUSED PILLOW BLOCK

Unit no.	Shaft dia.		Dimensions (in & mm)					
	in	mm	H	A	E	B	G	S1
MUCPPL204	3/4	20	15/16	5	3 3/4	1 1/2	9/16	7/16
			33.3	127	95	38	14.2	11
MUCPPL205	13/16	25	17/16	5 1/2	4 1/8	1 1/2	19/32	7/16
	7/8							
	15/16		36.5	140.5	105	38	14.5	11
	1							
MUCPPL206	11/16	30	1 11/16	6 27/64	4 11/16	1 13/16	45/64	9/16
	11/8							
	13/16		42.9	163	119	46	17.8	14
	1 1/4							
MUCPPL207	1 1/4	35	1 7/8	6 39/64	5	1 7/8	45/64	9/16
	15/16							
	1 3/8		47.6	168	127	48	18	14
	1 7/16							
MUCPPL208	1 1/2	40	1 15/16	7 1/4	5 13/32	2 1/8	49/64	9/16
	19/16		49.2	184	137	54	19.5	14
MUCPPL209	1 5/8	45	2 1/8	7 9/16	5 3/4	2 1/8	29/32	43/64
	1 3/4							
	1 11/16		2 1/4	8 1/8	6 1/4	2 3/8	29/32	43/64
MUCPPL210	1 13/16	50	2 1/4	8 1/8	6 1/4	2 3/8	29/32	43/64
	1 7/8							
	1 15/16		57.2	206	159	60	23	17
MUCPPL211	2	55	2 1/2	8 5/8	6 47/64	2 3/8	29/32	25/32
	2 1/16							
	2 1/8		63.5	219	171	60	23	20
	2 3/16							
MUCPPL212	2 1/4	60	2 3/4	9 1/2	7 1/4	2 3/4	63/64	25/32
	2 5/16							
	2 3/8		69.8	241	184	70	25	20
	2 7/16							



Dimensions (in & mm)				Weight kg	Max. torque		Housing no.	Bearing no.
S2	W	BI	N		Bolt D	Nm		
9/16	2 9/16	1.2205	0.5000	0.29	3/8	18	PPL204	MUC204
14	65.5	31.0	12.7		M10			
9/16	2 25/32	1.3425	0.5630	0.34	3/8	25	PPL205	MUC205
14	71	34.0	14.3		M10			
45/64	3 5/16	1.5000	0.6260	0.54	3/8	30	PPL206	MUC206
18	84	38.1	15.9		M10			
45/64	3 23/32	1.6890	0.6890	0.78	7/16	35	PPL207	MUC207
18	94.5	42.9	17.5		M12			
45/64	3 57/64	1.9370	0.7480	0.97	7/16	45	PPL208	MUC208
18	99	49.2	19.0		M12			
25/32	4 11/64	1.9370	0.7480	1.09	5/8	50	PPL209	MUC209
20	106	49.2	19.0		M16			
25/32	4 31/64	2.0315	0.7480	1.20	5/8	55	PPL210	MUC210
20	114	51.6	19.0		M16			
29/32	4 59/64	2.1890	0.8740	1.38	5/8	60	PPL211	MUC211
23	125	55.6	22.2		M16			
29/32	5 7/16	2.5630	1.0000	1.52	5/8	65	PPL212	MUC212
23	138	65.1	25.4		M16			



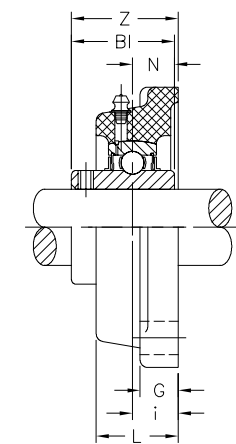
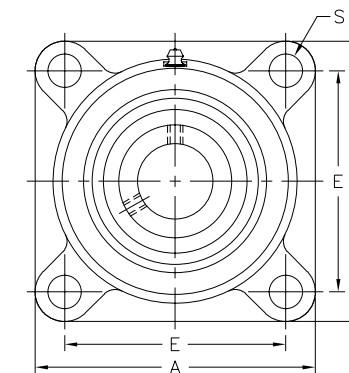
# UNITS

## MOUNTED UNITS – THERMOPLASTIC – HOUSED FLANGE UNITS (SQUARE)

Unit no.	Shaft dia.		Dimensions (in & mm)					
	in	mm	A	E	G	L	S	Z
MUCFPL204	3/4	20	3 3/8	2 33/64	2 33/64	1 3/32	7/16	1 7/16
			86	63.5	13.4	27.8	11	36.3
MUCFPL205	13/16	25	3 3/4	2 3/4	9/16	1 3/32	7/16	1 7/16
	7/8							
	15/16		95	70	14.3	28	11	36.7
	1							
MUCFPL206	11/16	30	4 7/32	3 17/64	9/16	1 15/64	7/16	1 5/8
	11/8							
	13/16		107	83	14.3	31.5	11	41.4
	1 1/4							
MUCFPL207	1 1/4	35	4 21/32	3 5/8	3 5/8	1 3/8	33/64	1 27/32
	15/16							
	1 3/8		118	92	15.5	34.8	13	46.9
	1 7/16							
MUCFPL208	1 1/2	40	5 1/8	4 1/64	4 1/64	1 15/32	35/64	2 3/32
	1 9/16		130	102	17	37.5	14	53.2
MUCFPL209	1 5/8	45	5 13/32	4 9/64	4 9/64	1 39/64	43/64	2 9/64
	1 11/16							
	1 3/4							
MUCFPL210	1 13/16	50	5 5/8	4 3/8	4 3/8	1 11/16	43/64	2 17/64
	1 7/8							
	1 15/16		143	111	21	43	17	57.6
	2							
MUCFPL211	2	55	6 3/8	5 1/8	5 1/8	1 11/16	3/4	2 18/64
	2 1/16							
	2 1/8		162	130	20	43	19	58.4
	2 3/16							
MUCFPL212	2 1/4	60	6 57/64	5 5/8	5 5/8	1 57/64	3/4	2 45/64
	2 5/16							
	2 3/8		175	143	20	48	19	68.7
	2 7/16							



Dimensions (in & mm)			Weight kg	Max. torque		Housing no.	Bearing no.
i	BI	N		Bolt D	Nm		
45/64	1.2205	0.5000	0.29	3/8	18	FPL204	MUC204
18	31.0	12.7		M10			
43/64	1.3425	0.5630	0.36	3/8	25	FPL205	MUC205
17	34.1	14.3		M10			
3/4	1.5000	0.6260	0.50	3/8	30	FPL206	MUC206
19.2	38.1	15.9		M10			
27/32	1.6890	0.6890	0.74	7/16	35	FPL207	MUC207
21.5	42.9	17.5		M12			
39/32	1.9370	0.7480	0.97	7/16	40	FPL208	MUC208
23	49.2	19.0		M12			
15/16	1.9370	0.7480	1.10	5/8	45	FPL209	MUC209
24	49.2	19.0		M16			
63/64	2.0315	0.7480	1.25	5/8	50	FPL210	MUC210
25	51.6	19.0		M16			
63/64	2.1890	0.8740	1.40	5/8	55	FPL211	MUC211
25	55.6	22.2		M16			
19/64	2.5630	1.0000	1.60	5/8	60	FPL212	MUC212
29	65.1	25.4		M16			



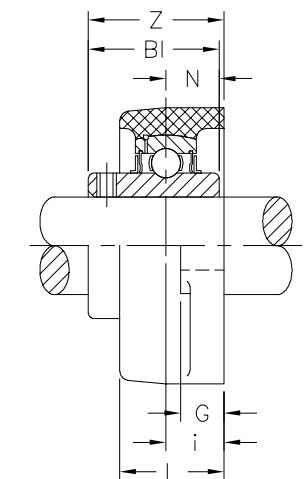
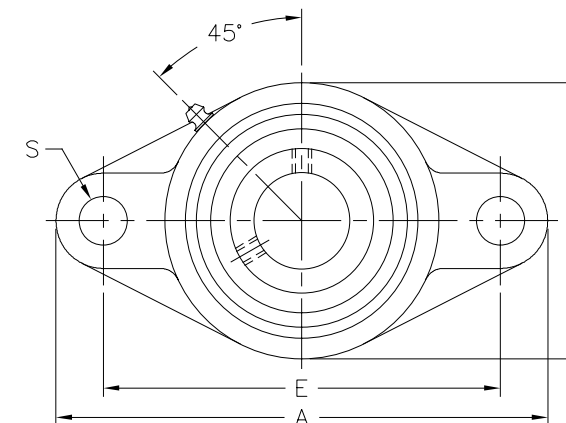
# UNITS

## MOUNTED UNITS – THERMOPLASTIC – HOUSED FLANGE BLOCK

Unit no.	Shaft dia.		Dimensions (in & mm)					
	in	mm	A	E	B	G	L	S
MUCFLPL204	3/4	20	5 1/8	3 35/64	2 3/4	29/64	1 3/64	7/16
			130	90	70	11.4	26.5	11
MUCFLPL205	13/16	25	5 5/32	3 57/64	2 47/64	17/32	1 9/64	7/16
	7/8							
	15/16		131	99	69.5	13.5	29.1	11
	1							
MUCFLPL206	11/16	30	5 53/64	4 39/64	3 5/32	17/32	1 13/64	7/16
	11/8							
	13/16		148	117	80	13.3	30.5	11
	1 1/4							
MUCFLPL207	1 1/4	35	6 29/64	5 1/8	3 35/64	41/64	1 19/64	33/64
	15/16							
	13/8		164	130	90	16.1	32.8	13
	17/16							
MUCFLPL208	1 1/2	40	6 59/64	5 43/64	3 15/16	25/32	1 15/32	35/64
	19/16		176	144	100	20	37.5	14
MUCFLPL209	1 5/8	45	7 27/64	5 27/32	4 15/64	53/64	1 39/64	43/64
	1 11/16		188.5	148.5	108	21	41	17
	1 3/4							
MUCFLPL210	1 13/16	50	7 3/4	6 3/16	4 17/32	53/64	1 11/16	43/64
	1 7/8							
	1 15/16		197	157	115	21	43	17
	2							
MUCFLPL211	2	55	8 13/16	7 1/4	5 1/8	45/64	1 11/16	3/4
	2 1/16							
	2 1/8		224	184	130	18	43	19
	2 3/16							
MUCFLPL212	2 1/4	60	9 27/32	7 61/64	5 33/64	15/64	57/64	29/32
	2 5/16							
	2 3/8		250	202	140	18	48	23
	2 7/16							



Dimensions (in & mm)				Weight kg	Max. torque		Housing no.	Bearing no.
Z	i	BI	N		Bolt D	Nm		
1 21/64	39/64	1.2205	0.5000	0.24	3/8	18	FLPL204	MUC204
33.7	15.4	31.0	12.7		M10			
1 7/16	43/64	1.3425	0.5630	0.30	3/8	25	FLPL205	MUC205
36.7	17	34.1	14.3		M10			
1 5/8	3/4	1.5000	0.6260	0.45	3/8	30	FLPL206	MUC206
41.2	19	38.1	15.9		M10			
1 45/64	45/64	1.6890	0.6890	0.66	7/16	35	FLPL207	MUC207
43.4	18	42.9	17.5		M12			
2 1/32	27/32	1.9370	0.7480	0.87	7/16	40	FLPL208	MUC208
51.7	21.5	49.2	19.0		M12			
2 9/64	15/16	1.9370	0.7480	1.00	5/8	45	FLPL209	MUC209
54.2	24	49.2	19.0		M16			
2 17/64	63/64	2.0315	0.7480	1.20	5/8	50	FLPL210	MUC210
57.6	25	51.6	19.0		M16			
2 19/64	63/64	2.1890	0.8740	1.42	5/8	55	FLPL211	MUC211
58.4	25	55.6	22.2		M16			
2 45/64	19/64	2.5630	1.0000	1.60	5/8	60	FLPL212	MUC212
88.7	29	65.1	25.4		M16			

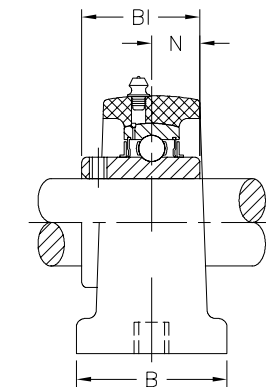
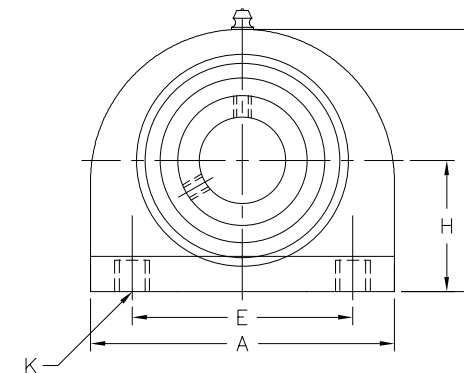


# UNITS

## MOUNTED UNITS – THERMOPLASTIC – HOUSED TAP-BASE

Unit no.	Shaft dia.		Dimensions (in & mm)				
	in	mm	A	E	B	H	W
MUCTBL204	3/4	20	2 55/64 72.8	2 50.8	1 23/64 34.5	1 5/16 33.3	2-19/32 66
MUCTBL205	13/16	25	3 76.2	2 50.2	1 9/16 39.5	1 7/16 36.5	2-57/64 73.5
	7/8						
	15/16 1						
MUCTBL206	11/16	30	3 31/32 101	3 76.2	1 43/64 42.5	1 11/16 42.9	3-5/16 84
	11/8						
	13/16 11/4						
MUCTBL207	11/4	35	4 21/64 110	3 1/4 82.6	1 7/8 47.5	1 7/8 47.6	3-47/64 95
	15/16						
	13/8 17/16						
MUCTBL208	11/2	40	4 23/32 120	3 1/2 88.9	1 57/64 48	1 15/16 49.2	3-61/64 100.5
	19/16						
MUCTBL209	15/8	45	4 7/8 124	3 3/4 95.3	1 31/32 50	2 1/8 54	4-9/32 108.5
	1 11/16						
	1 3/4						
MUCTBL210	1 13/16	50	5 5/16 135	4 101.6	2 1/8 54	2 1/4 57.2	4-17/32 115
	1 7/8						
	1 15/16 2						
MUCTBL211	2	55	5 33/64 140	4 3/32 104	2 19/32 66	2 1/2 63.5	4-59/64 125
	2 1/16						
	2 1/8 2 3/16						
MUCTBL212	2 1/4	60	5 29/32 150	4 31/64 114	2 43/64 68	2 3/4 69.9	5-7/16 138
	2 5/16						
	2 3/8						
	2 7/16						

Dimensions (in & mm)			Weight kg	Max. torque		Housing no.	Bearing no.
K	BI	N		Bolt D	Nm		
M8 M10	1.2205 31	0.5000 12.7	0.35	5/16 M8	18	TBL204	MUC204
M10	1.3425 34.1	0.5630 14.3		3/8 M10			
	M10	1.5000 38.1	0.6260 15.9	0.55	3/8 M10	30	TBL206
M10		1.6890 42.9	0.6890 17.5		3/8 M10		
	M12	1.9370 49.2	0.7480 19.0	0.95	7/16 M12	45	TBL208
M12		1.9370 49.2	0.7480 19.0		7/16 M12		
	M16	2.0315 51.6	0.7480 19.0	1.25	5/8 M16	55	TBL210
M20		2.1890 55.6	0.8740 22.2		3/4 M20		
	M20	2.5630 65.1	1.0000 25.4	1.58	3/4 M20	65	TBL212



BEARINGS

BEARINGS

# UNITS

## SB & CSB INSERTS – SB2, CSB2

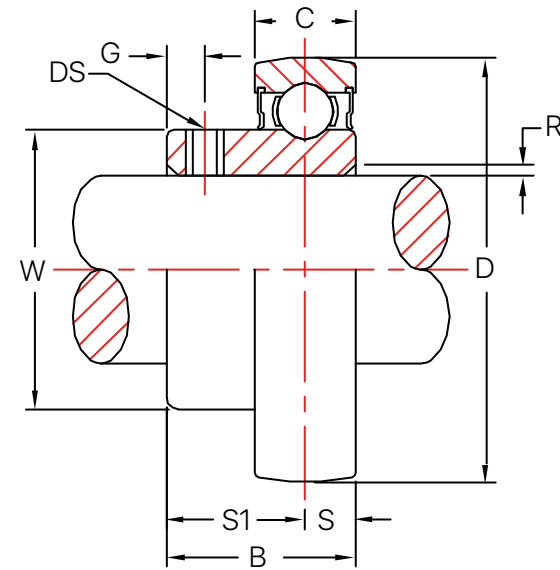
Bearing no.	Shaft dia. in	Dimensions (in)							Load rating		Weight lb
		D	B	C	S	S1	G	DS	Dynamic	Static	
SB 201-08	1/2	1.5748	0.8661	0.4724	0.236	0.63	0.177	10-32	2160	1030	0.22
SB 202-10	5/8										0.22
SB 204-12	3/4	1.8504	0.9843	0.5512	0.2760	0.7090	0.1770	1/4-28	2880	1500	0.26
SB 205-14	7/8										0.39
SB 205-15	15/16	2.0472	1.0630	0.5906	0.2950	0.7680	0.2170	1/4-28	3150	1760	0.37
SB 205-16	1										0.35
SB 206-18	1 1/8										0.75
SB 206-19	1 3/16	2.4409	1.1811	0.6299	0.3150	0.8660	0.2360	1/4-28	4400	2540	0.71
SB 206-20	1 1/4										0.66
SB 207-20	1 1/4	2.8346	1.2598	0.6693	0.3350	0.9250	0.2560	5/16-24	5800	3450	1.15
SB 207-22	1 3/8										1.06
SB 208-24	1 1/2	3.1496	1.3386	0.7087	0.3540	0.9840	0.2760	5/16-24	6630	4070	1.50
SB 209-26	1 5/8	3.3465	1.6220	0.7480	0.4020	1.2200	0.3230	5/16-24	7100	4630	1.72
SB 209-28	1 3/4										1.54
SB 210-30	1 7/8										1.87
SB 210-31	1 15/16	3.5433	1.7126	0.7874	0.4290	1.2830	0.3620	3/8-24	7870	5210	1.76
SB 210-32	2										1.78
SB 211-32	2	3.9370	1.7835	0.8268	0.4650	1.3190	0.3860	3/8-24	9800	6570	2.42

# UNITS

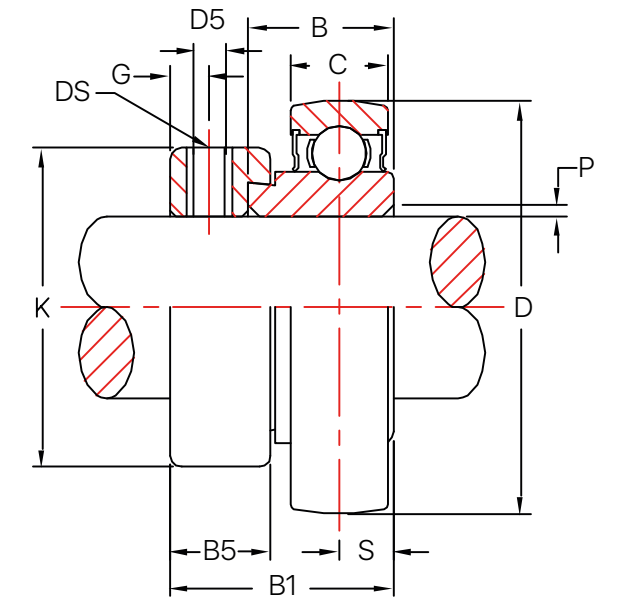
## SA & CSA INSERTS – SA2, CSA2

Bearing no.	Shaft dia. in	Dimensions (in)									Load rating		Weight lb
		D	B1	B	C	S	G	DS	B5	D5	Dynamic	Static	
SA 201-08	1/2	1.5748	1.1260	0.7520	0.4724	0.2560	0.1890	10-32	0.5310	1.1260	2160	1030	0.22
SA 202-10	5/8												0.22
SA 204-12	3/4	1.8504	1.2200	0.8465	0.5512	0.2950	0.1890	1/4-28	0.5310	1.3110	2880	1500	0.26
SA 205-14	7/8												0.39
SA 205-15	15/16	2.0472	1.2200	0.8465	0.5906	0.2950	0.1890	1/4-28	0.5310	1.5000	3150	1760	0.37
SA 205-16	1												0.35
SA 206-18	1 1/8												0.75
SA 206-19	1 3/16	2.4409	1.4060	0.9370	0.6299	0.3540	0.2360	5/16-24	0.6260	1.7520	4400	2540	0.71
SA 206-20	1 1/4												0.66
SA 207-20	1 1/4	2.8346	1.5310	1.0000	0.6693	0.3740	0.2680	5/16-24	0.6890	2.1890	5800	3450	1.15
SA 207-22	1 3/8												1.06
SA 208-24	1 1/2	3.1496	1.7210	1.1890	0.7087	0.4330	0.2680	5/16-24	0.7200	2.3740	6630	4070	1.50
SA 209-26	1 5/8	3.3465	1.7210	1.1890	0.7480	0.4330	0.2680	5/16-24	0.7200	2.5000	7100	4630	1.72
SA 209-28	1 3/4												1.54
SA 210-30	1 7/8												1.87
SA 210-31	1 15/16	3.5433	1.7210	1.1890	0.7874	0.4330	0.2680	5/16-24	0.7200	2.7520	7870	5210	1.76
SA 210-32	2												1.78
SA 211-32	2	3.9370	1.9060	1.2795	0.8268	0.4720	0.3150	3/8-24	0.8150	3.000	9800	6570	2.42

BEARINGS



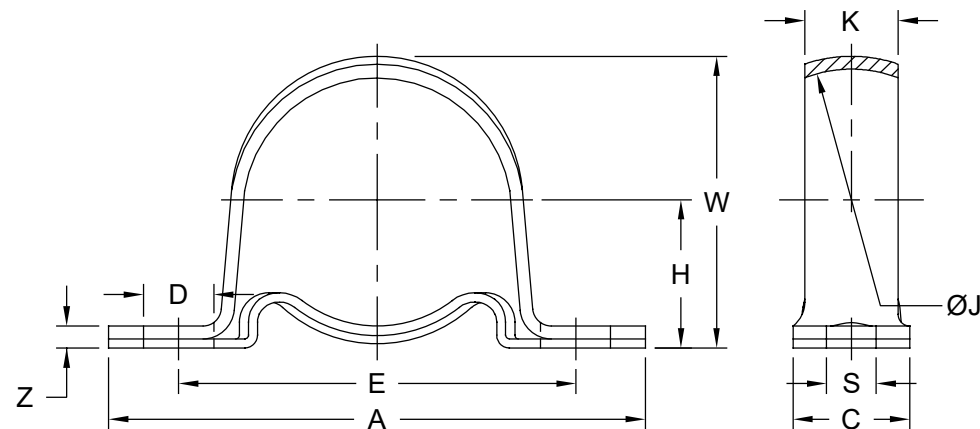
BEARINGS



## UNITS

### PRESSED STEEL – HOUSING PILLOW BLOCKS – PP

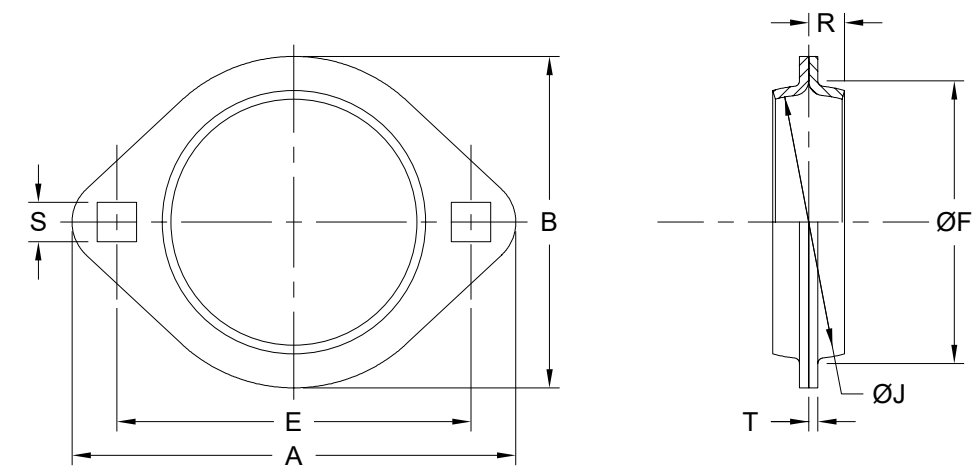
Part no.	A	C	D	E	H	J	K	S	W	Z
	in (mm)	in (mm)	in (mm)	in (mm)	in (mm)	in (mm)	in (mm)	in (mm)	in (mm)	in (mm)
PP3Z	3 5/8 (92.1)	1 (25.4)	1/2 (12.7)	2 11/16 (68.3)	7/8 (22.2)	1.575 (40)	3/4 (19.1)	11/32 (8.7)	1 3/4 (44.5)	0.133 (3.4)
PP4Z	4 1/8 (104.8)	1 (25.4)	1/2 (12.7)	3 (76.2)	1 (25.4)	1.850 (47)	7/8 (22.2)	13/32 (10.3)	2 1/16 (52.4)	0.178 (4.5)
PP5ZH	4 1/4 (108)	1 1/4 (31.8)	0.433 (11)	3 3/8 (85.7)	1 1/8 (28.6)	2.047 (52)	3/4" (19.1)	0.433 (11)	2 3/16 (55.6)	0.149 (3.8)
PP5Z	4 1/2 (114.3)	1 1/8 (26.8)	9/16 (14.3)	3 3/8 (85.7)	1 1/8 (28.6)	2.047 (52)	3/4 (19.1)	13/32 (10.3)	2 7/32 (56.4)	0.208 (5.3)
PP6Z	4 7/8 (123.8)	1 1/8 (26.8)	9/16 (14.3)	3 3/4 (95.3)	1 5/16 (33.3)	2.441 (62)	7/8 (22.2)	13/32 (10.3)	2 5/8 (66.7)	0.238 (6)
PP7Z	5 3/4 (146.1)	1 1/4 (31.8)	3/4 (19.1)	4 1/4 (108)	1 9/16 (39.7)	2.835 (72)	1 (25.4)	17/32 (13.5)	3 1/8 (79.4)	0.238 (6)



## UNITS

### PRESSED STEEL – HOUSING 2-BOLT FLANGE – PFL (2 HOLES)

Part no.	Series	A	B	E	F	J	R	S	T	Bolt dia.
		in (mm)	in (mm)	in (mm)	in (mm)	in (mm)	in (mm)	in (mm)	in (mm)	in (mm)
PFL3Z	203	3 3/16 (81)	2 5/16 (58.7)	2 1/2 (63.5)	1 15/16 (49.2)	1.757 (40)	9/32 (7)	9/32 (7)	0.075 (1.9)	1/4 (6)
PFL4Z	204	3 9/16 (90.5)	2 5/8 (66.7)	2 13/16 (71.4)	2 3/16 (55.6)	1.850 (47)	5/16 (8)	11/32 (9)	0.083 (2.1)	5/16 (8)
PFL5Z	205	3 3/4 (95.3)	2 51/64 (71)	3 (76.2)	2 3/8 (60.3)	2.047 (52)	11/32 (9)	11/32 (9)	0.083 (2.1)	5/16 (8)
PFL6Z	206	4 7/16 (112.7)	3 5/16 (84.1)	3 9/16 (90.5)	2 13/16 (71.4)	2.441 (62)	11/32 (9)	7/16 (11)	0.104 (2.6)	5/16 (8)
PFL7Z	207	4 15/16 (125.4)	3 11/16 (93.7)	3 15/16 (100)	3 3/16 (81)	2.835 (72)	7/16 (11)	7/16 (11)	0.104 (2.6)	3/8 (10)

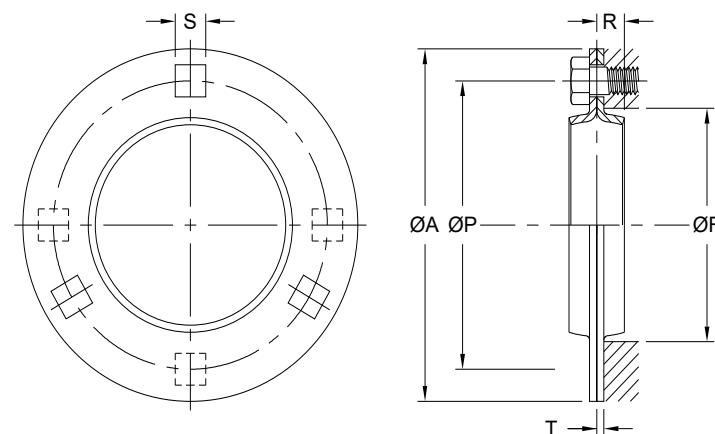




# UNITS

## PRESSED STEEL – ROUND HOUSING FLANGE – PF (3 OR 4 HOLES)

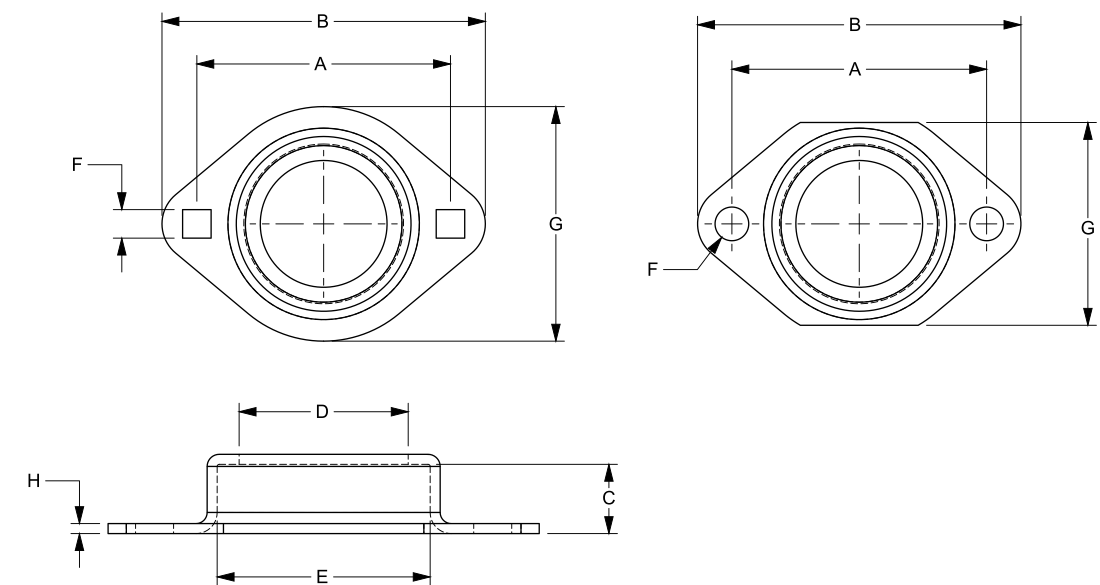
	Part no.	A	F	P	R	S	T	Bolt dia.
		in (mm)	in (mm)	in (mm)	in (mm)	in (mm)	in (mm)	in (mm)
3 Holes	PF3Z	3 3/16 (81)	1 15/16 (49.2)	2 1/2 (63.5)	9/32 (7)	9/32 (7)	0.075 (1.9)	1/4 (6)
	PF4Z	3 9/16 (90.5)	2 3/16 (55.6)	2 13/16 (71.4)	5/16 (8)	11/32 (9)	0.083 (2.1)	5/16 (8)
	PF5Z	3 3/4 (95.3)	2 3/8 (60.3)	3 (76.2)	11/32 (9)	11/32 (9)	0.083 (2.1)	5/16 (8)
	PF6Z	4 13/16 (112.2)	2 13/16 (71.4)	3 9/16 (90.5)	11/32 (9)	7/16 (11)	0.104 (2.6)	3/8 (10)
	PF7Z	4 13/16 (122.2)	3 3/16 (81)	3 15/16 (100)	3/8 (10)	7/16 (11)	0.104 (2.6)	3/8 (10)
	PF7Z-4Z							
4 Holes	PF8-4Z	5 13/16 (147.6)	3 9/16 (90.5)	4 11/16 (119.1)	7/16 (11)	17/32 (14)	0.134 (3.4)	1/2 (12)
	PF9-4Z	5 7/8 (149.2)	3 13/16 (96.8)	4 3/4 (120.7)	7/16 (11)	17/32 (14)	0.134 (3.4)	1/2 (12)
	PF10-4Z	6-1/8 (155.6)	4 (101.6)	5 (127)	7/16 (11)	17/32 (14)	0.149 (3.8)	1/2 (12)
	PF11-4Z	6-9/16 (166.7)	4-7/16 (112.7)	5-7/16 (138.1)	15/32 (12)	17/32 (14)	0.149 (3.8)	1/2 (12)



# UNITS

## PRESSED STEEL – 2-BOLT FLUSH MOUNTS

Part no.	Shaft size in	A	B	C	D	E	F	G	H
		Dimensions (in & mm)							
30-2MFM		2 1/8	2 13/16	0.354	0.76	1 3/16	9/32	1 15/16	0.066
		54	71	9	19	30	7	49	2
40-2MFM	1-2, 9/16, 5/8	2 1/2	3 3/16	0.512	1.25	1.0578	9/32	2 5/16	0.074
		64	81	13	32	40	7	59	2
47-2MFM	3/4	2 13/16	3 9/16	0.590	1.428	1.0843	11/32	2 5/8	0.074
		71	90	15	36	47	9	67	2
52-2MFM	13/16, 7/8, 15/16, 1	3	3 3/4	0.590	1.625	2.0468	11/32	2 51/64	0.074
		76	95	15	41	52	9	71	2
52-2CFM	13/16, 7/8, 15/16, 1	3 1/4	4 1/8	0.590	1.906	2.0468	7/16 Round	2 1/4	0.062
		83	105	15	48	52	11	57	2
62-2MFM	11/16, 11/8, 113/16, 11/4	3 9/16	4 7/16	0.709	2.018	2 7/16	13/32	3 1/4	0.089
		90	113	18	51	62	10	83	2



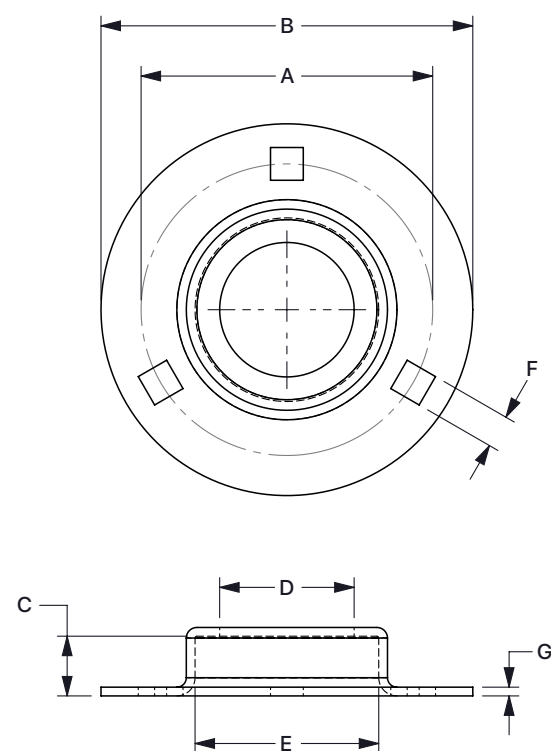
BEARINGS

BEARINGS

# UNITS

## PRESSED STEEL – 3-BOLT FLUSH MOUNTS

Part no.	Shaft size	A	B	C	D	E	F	G
	in							
40-3MFM	1/2, 9/16, 5/8	2 1/2	3 3/16	0.512	1.153	40 mm	9/32	0.074
47-3MFM	3/4	2 13/16	3 9/16	0.590	1.428	47 mm	11/32	0.074
52-3MFM	13/16, 7/8, 15/16, 1	3	3 3/4	0.590	1.625	52 mm	11/32	0.074
62-3MFM	11/16, 11/8, 113/16, 11/4	3 9/16	4 7/16	0.709	2.018	62 mm	13/32	0.089



CONTRIBUTING TO PEOPLE'S QUALITY OF LIFE, EVERY DAY.



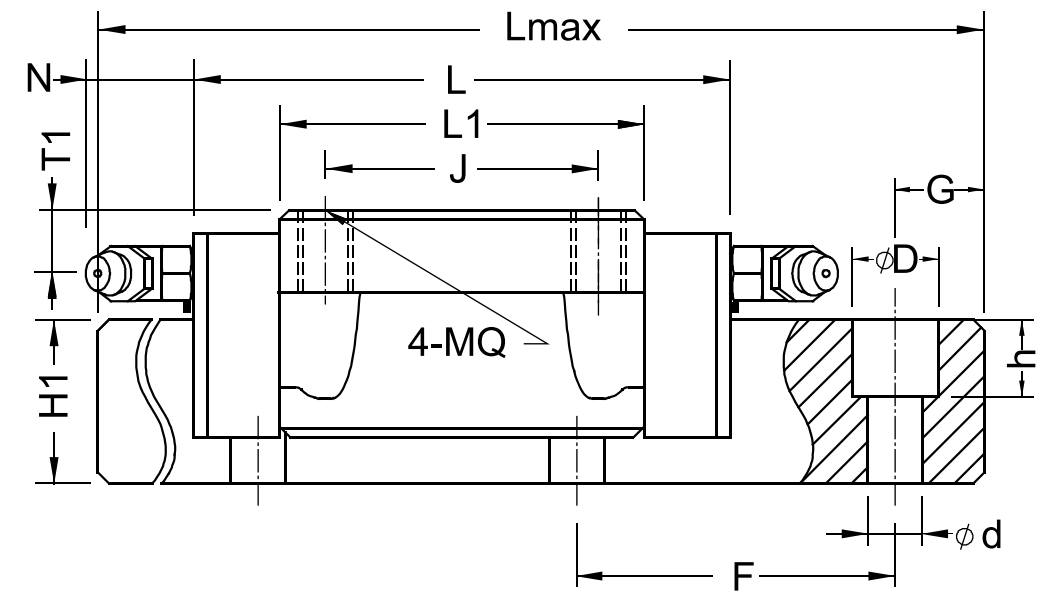
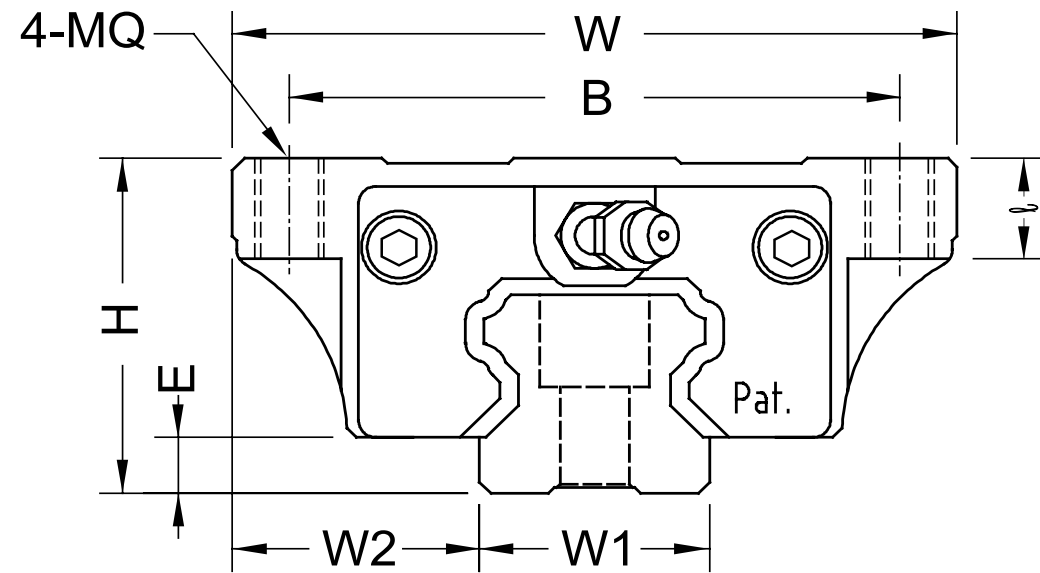
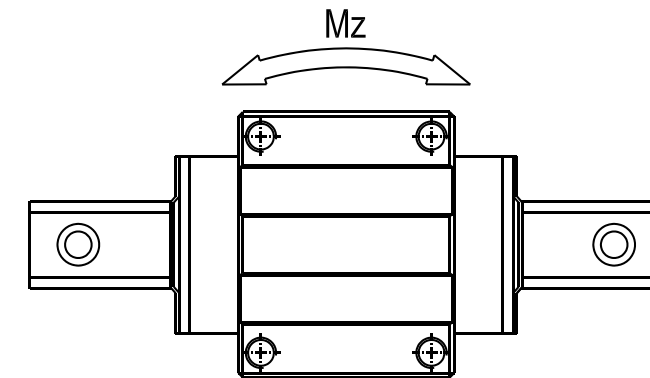
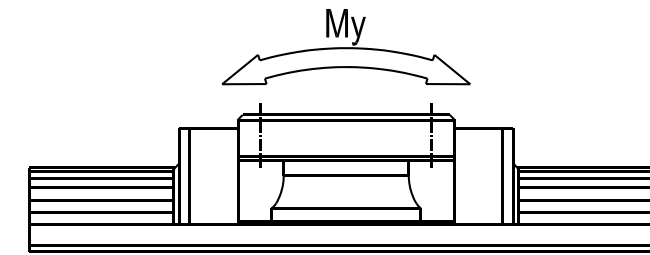
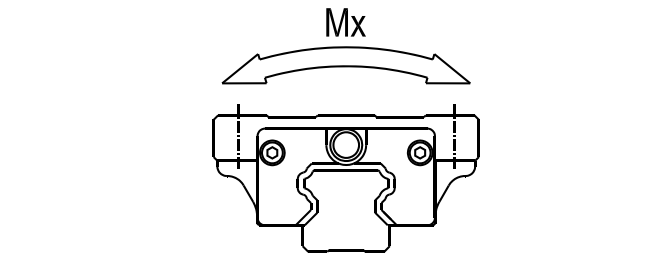
# LINEAR GUIDEWAY

- Components of motion transmission
- Self-lubricated profile rail guide
- High accuracy and rigidity
- Low maintenance cost
- Built-in lifelong lubrication
- An equivalent loading capacity in all four directions



# LINEAR GUIDEWAY

BRC-A0/LA, BRD-A0/LA



BEARINGS

BEARINGS

# LINEAR GUIDEWAY

BRC-A0/LA, BRD-A0/LA



Model	Assembly				BR block		
	mm (in)				mm (in)		
	H	W	W2	E	L	BxJ	MQxl
BRC15A0	24 (0.94)	47 (1.85)	16 (0.62)	4.6 (0.18)	66 (2.59)	38x30 (1.49 X 1.18)	M5x8
BRD15A0					56 (2.20)		
BRC20A0	30 (1.18)	63 (92.48)	21.5 (0.84)	5 (0.19)	77.8 (3.06)	53x40 (2.08 X 1.57)	M6x9
BRD20A0					67.8 (2.66)		
BRC20LA					92.4 (3.63)		
BRD20LA					82.4 (3.24)		
BRC25A0	36 (1.41)	70 (2.75)	23.5 (0.92)	7 (0.27)	88 (3.46)	57x45 (2.24 X 1.77)	M8x12
BRD25A0					78 (3.07)		
BRC25LA					110.1 (4.33)		
BRD25LA					100.1 (3.94)		
BRC30A0	42 (1.65)	90 (3.54)	31 (1.22)	9 (0.35)	109 (4.29)	72x52 (2.83 X 2.04)	M10x12
BRD30A0							
BRC30LA					99 (3.89)		
BRD30LA							
BRD35A0	48 (1.88)	100 (3.93)	33 (1.29)	9.5 (0.37)	131.3 (5.16)	82x62 (3.22 X 2.44)	M10x13
BRD35LA					121.3 (4.77)		
BRD45A0	60 (2.36)	120 (4.72)	37.5 (1.47)	14 (0.55)	138.2 (5.44)	100x80 (3.93 X 3.14)	M12x15
BRD45LA					163 (6.41)		

BR block				BR rail			
mm (in)				mm (in)			
L1	Oil hole	T1	(N)	W1	H1	F	dxDxh
40 (1.57)	∅3	4.3 (0.16)	5 (0.19)	15 (0.59)	15 (0.59)	60 (2.36)	4.5x7.5x5.8 (0.17x0.29x0.22)
48.8 (1.92)	M6x1	7 (0.27)	15.6 (0.61)	20 (0.78)	20 (0.78)	60 (2.36)	6x9.5x9.0 (0.23x0.37x0.35)
63.4 (2.49)							
57 (2.24)	M6x1	7.8 (0.30)	15.6 (0.61)	23 (0.90)	23 (0.90)	60 (2.36)	7x11x9.5 (0.27x0.43x0.37)
79.1 (3.11)							
72 (2.83)	M6x1	7 (0.27)	15.6 (0.61)	28 (1.10)	28 (1.10)	80 (3.14)	9x14x12.5 (0.35x0.55x0.49)
94.3 (3.71)							
80 (3.14)	M6x1	8 (0.31)	15.6 (0.61)	34 (1.33)	34 (1.33)	80 (3.14)	9x14x12.5 (0.35x0.55x0.49)
105.8 (4.16)							
105 (4.13)	M6x1	8.5 (0.33)	16 (0.62)	45 (1.77)	45 (1.77)	105 (4.13)	14x20x17.5 (0.55x0.78x0.68)
129.8 (5.11)							

BEARINGS

BEARINGS

# LINEAR GUIDEWAY

BRC-A0/LA, BRD-A0/LA

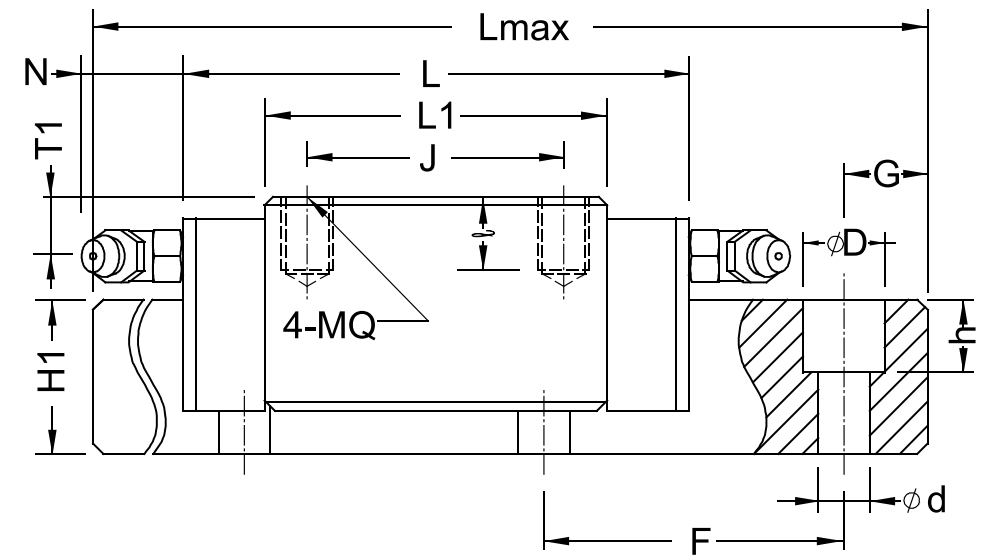
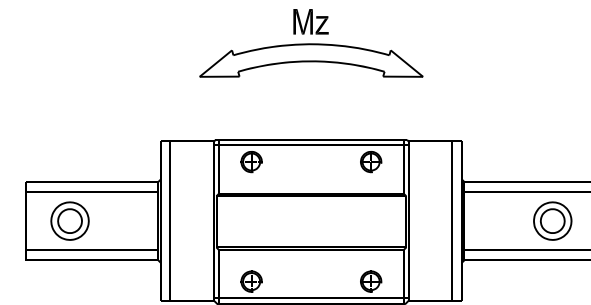
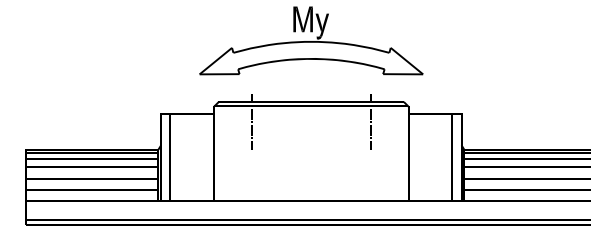
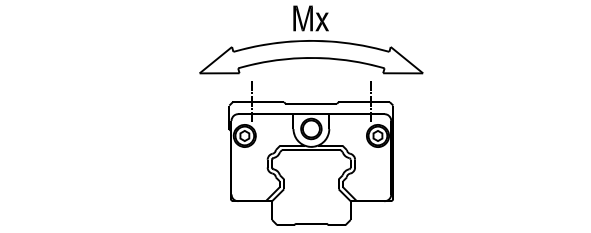
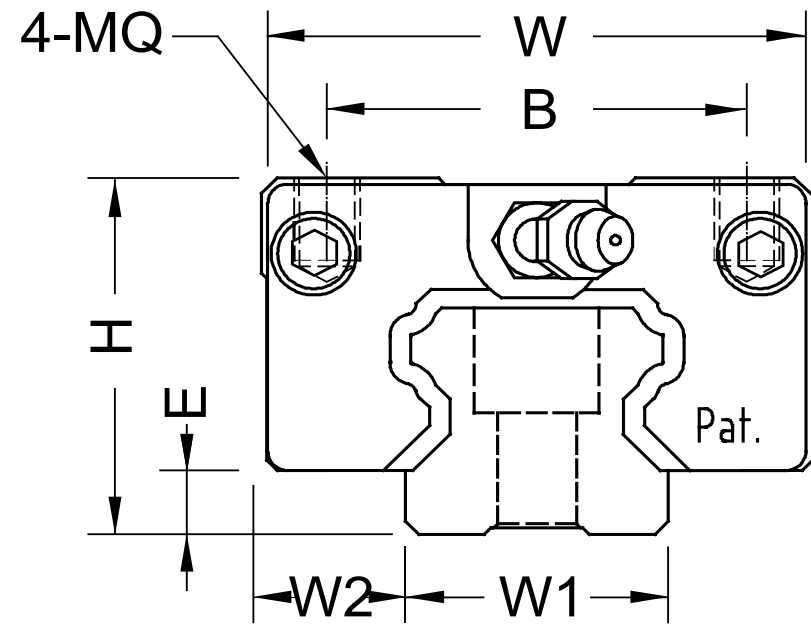


Model	Ref data		Basic load rating	
	mm (in)		(kgf) (N)	
	Lmax.	G	Dynamic (C)	Static (Co)
BRC15A0	4000 (157.47)	20 (0.78)	850 (8335.65)	1350 (13238.98)
BRD15A0				
BRC20A0	4000 (157.47)	20	1400 (13729.31)	2400 (23535.96)
BRD20A0				
BRC20LA			1650 (16180.97)	3000 (29419.95)
BRD20LA				
BRC25A0	4000 (157.47)	20 (0.78)	1950 (19122.97)	3200 (31381.28)
BRD25A0				
BRC25LA			2600 (25497.29)	4600 (45110.59)
BRD25LA				
BRC30A0	4000 (157.47)	20 (0.78)	2850 (27948.95)	4800 (47071.92)
BRD30A0				
BRC30LA			3600 (35303.94)	6400 (62762.56)
BRD30LA				
BRD35A0	4000 (157.47)	20 (0.78)	3850 (37755.6)	6200 (60801.23)
BRD35LA			4800 (47071.92)	8300 (81395.19)
BRD45A0	4000 (157.47)	22.5 (0.88)	6500 (63743.22)	10500 (102969.8)
BRD45LA			7700 (75511.21)	13000 (127486.5)

Static moment			Weight	
(kgf*m) (Nm)			kg (lb)	
Mx	My	Mz	Block	Rail (kg/m)
10.1 (99.04)	6.8 (66.68)	6.8 (66.68)	0.21 (0.46)	1.4
24 (235.35)	14.6 (143.17)	14.6 (143.17)	0.4 (0.88)	2.6
30 (294.19)	23.8 (233.39)	23.8 (233.39)	0.52 (1.14)	
36.8 (360.88)	22.8 (223.59)	22.8 (223.59)	0.57 (1.25)	3.6
52.9 (518.77)	45.5 (446.20)	45.5 (446.20)	0.72 (1.58)	
67.2 (659.00)	43.2 (423.64)	43.2 (423.64)	1.1 (2.42)	5.2
89.6 (878.67)	75.4 (739.42)	75.4 (739.42)	1.4 (3.08)	
105.4 (1033.62)	62 (608.01)	62 (608.01)	1.6 (3.52)	7.2
141.1 (1383.71)	109.8 (1076.77)	109.8 (1076.77)	2 (4.40)	
236.3 (2317.31)	137.8 (1351.35)	137.8 (1351.35)	2.7 (5.95)	12.3
292.5 (2868.44)	210.9 (2068.22)	210.9 (2068.22)	3.6 (7.93)	

BEARINGS

BEARINGS



\*\* Unit  
 kgf= kilogram-force  
 1 kgf = 9.806 Newton  
 C = dynamic charge  
 C0 = static charge

BEARINGS

BEARINGS

# LINEAR GUIDEWAY

BRC-R0/LR, BRD-R0/LR



Model	Assembly				BR block			BR block				BR rail			
	mm (in)				mm (in)			mm (in)				mm (in)			
	H	W	W2	E	L	BxJ	MQxl	L1	Oil hole	T1	(N)	W1	H1	F	dxDxh
BRC15R0	28 (1.10)	34 (1.33)	9.5 (0.37)	4.6 (0.18)	66 (2.59)	26x26 (1.02X1.02)	M4x6	40 (1.57)	Ø3	8.3 (0.32)	5 (0.19)	15 (0.59)	14 (0.55)	60 (2.36)	4.5x7.5x5.8 (0.17X0.29X0.22)
BRD15R0					56 (2.20)										
BRC20R0	30 (1.18)	44 (1.73)	12 (0.47)	5 (0.19)	77.8 (3.06)	32x36 (1.25X1.41)	M5x8	48.8 (1.88)	M6x1	7 (0.27)	15.6 (0.61)	20 (0.78)	18 (0.70)	60 (2.36)	6x9.5x9.0 (0.23X0.37X0.35)
BRD20R0					67.8 (2.66)										
BRC20LR					92.4 (3.63)	32x50 (1.41X1.96)									
BRD20LR					82.4 (3.24)										
BRC25R0	40 (1.57)	48 (1.88)	12.5 (0.49)	7 (0.27)	88 (3.46)	35x35 (1.37X1.37)	M6x10	57 (2.24)	M6x1	11.8 (0.46)	15.6 (0.61)	23 (0.90)	22 (0.86)	60 (2.36)	7x11x9.5 (0.27X0.43X0.37)
BRD25R0					78 (3.07)										
BRC25LR					110.1 (4.33)	35x50 (1.37X1.96)									
BRD25LR					100.1 (3.94)										
BRC30R0	45 (1.77)	60 (2.36)	16 (0.62)	9 (0.35)	109 (4.29)	40x40 (1.57X1.57)	M8x13	72 (2.83)	M6x1	10 (0.39)	15.6 (0.61)	28 (1.10)	26 (1.02)	60 (2.36)	9x14x12.5 (0.35X0.55X0.49)
BRD30R0					99 (3.89)										
BRC30LR					131.3 (5.16)	40x60 (1.57X2.36)									
BRD30LR					121.3 (4.77)										
BRD35R0	55 (2.16)	70 (2.75)	18 (0.70)	9.5 (0.37)	109 (4.29)	50x50 (1.96X1.96)	M8x13	80 (3.14)	M6x1	15 (0.59)	15.6 (0.61)	34 (1.33)	29 (1.14)	80 (3.14)	9x14x12.5 (0.35X0.55X0.49)
BRD35LR					134.8 (5.30)	50x72 (1.96X2.83)		105.8 (4.16)							
BRD45R0	70 (2.75)	86 (3.38)	20.5 (0.80)	14 (0.55)	138.2 (5.44)	60x60 (2.36X2.36)	M10x16.5	105 (4.13)	M8x1	18.5 (0.72)	16 (0.62)	45 (1.77)	38 (1.49)	105 (4.13)	14x20x17.5 (0.55X0.78X0.68)
BRD45LR					163 (6.41)	60x80 (2.36X3.14)		129.8 (5.11)							

BEARINGS

BEARINGS



# LINEAR GUIDEWAY

BRC-R0/LR, BRD-R0/LR



Model	Ref data		Basic load rating	
	mm (in)		(kgf) (N)	
	Lmax.	G	Dynamic (C)	Static (Co)
BRC15R0	4000 (157.47)	20 (0.78)	850 (8335.65)	1350 (13238.98)
BRD15R0				
BRC20R0	4000 (157.47)	20 (0.78)	1400 (13729.31)	2400 (23535.96)
BRD20R0				
BRC20LR			1650 (16180.97)	3000 (29419.95)
BRD20LR				
BRC25R0	4000 (157.47)	20 (0.78)	1950 (19122.97)	3200 (31381.28)
BRD25R0				
BRC25LR			2600 (25497.29)	4600 (45110.59)
BRD25LR				
BRC30R0	4000 (157.47)	20 (0.78)	2850 (27948.95)	4800 (47071.92)
BRD30R0				
BRC30LR			3600 (35303.94)	6400 (62762.56)
BRD30LR				
BRD35R0	4000 (157.47)	20 (0.78)	3850 (37755.6)	6200 (60801.23)
BRD35LR			4800 (47071.92)	8300 (81395.19)
BRD45R0	4000 (157.47)	22.5 (0.88)	6500 (63743.22)	10500 (102969.8)
BRD45LR			7700 (75511.21)	13000 (127486.5)

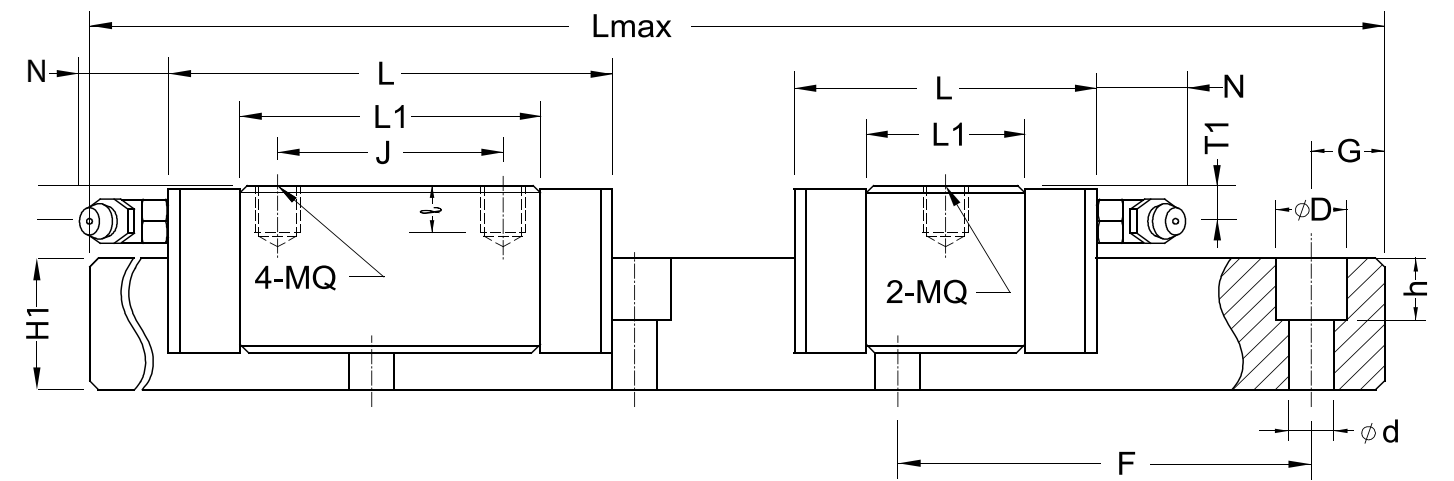
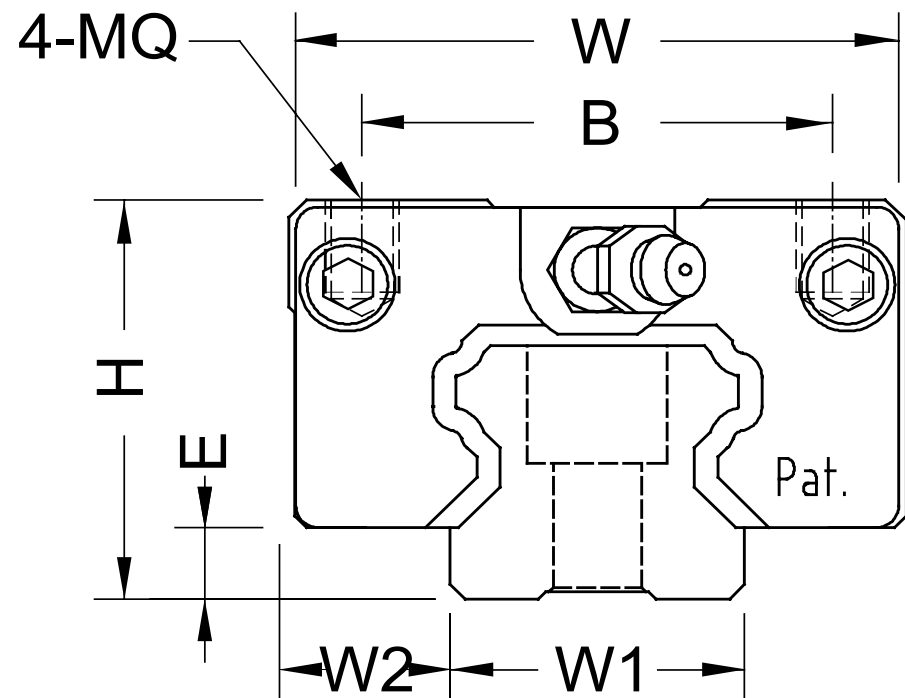
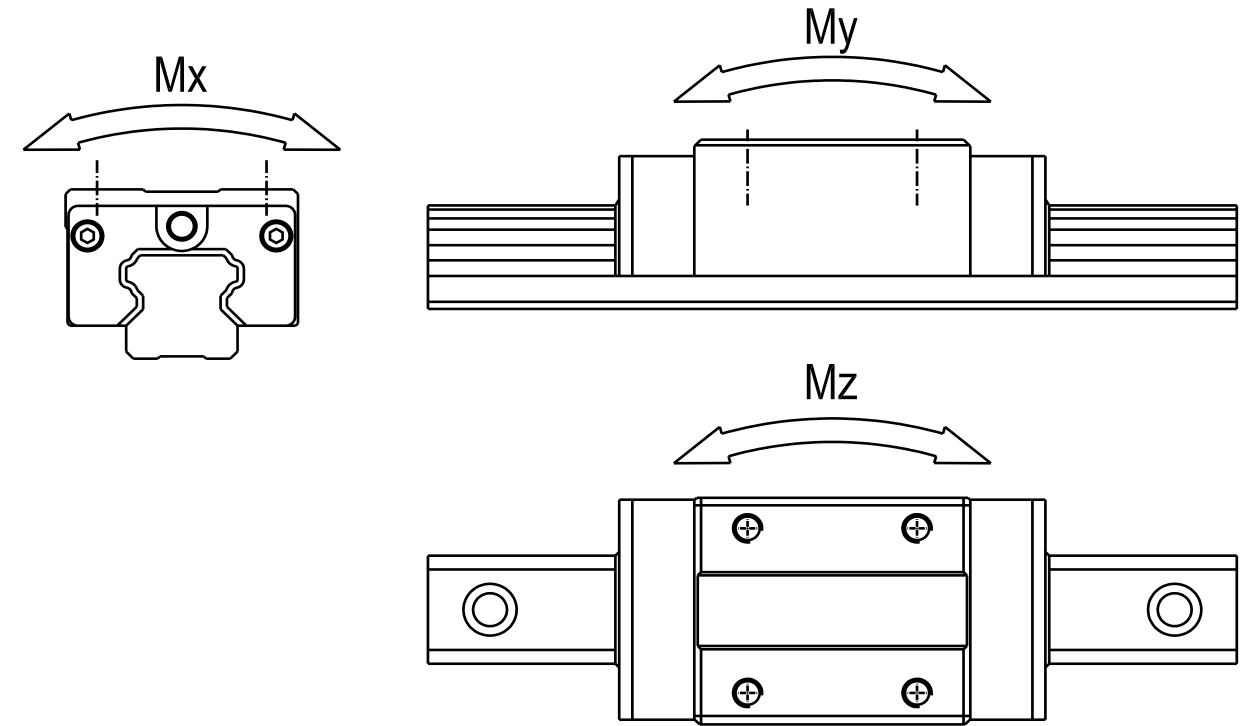
Static moment			Weight	
(kgf*m) (Nm)			kg (lb)	
Mx	My	Mz	Block	Rail (kg/m)
10.1 (99.04)	6.8 (66.68)	6.8 (66.68)	0.19 (0.41)	1.4
24 (235.35)	14.6 (143.17)	14.6 (143.17)	0.31 (0.68)	2.6
30 (294.19)	23.8 (233.39)	23.8 (233.39)	0.47 (1.03)	
36.8 (360.88)	22.8 (223.59)	22.8 (223.59)	0.45 (0.99)	3.6
52.9 (518.77)	45.5 (446.20)	45.5 (446.20)	0.56 (1.23)	
67.2 (659.00)	43.2 (423.64)	43.2 (423.64)	0.91 (2.00)	5.2
89.6 (878.67)	75.4 (739.42)	75.4 (739.42)	1.2 (2.64)	
105.4 (1033.62)	62 (608.01)	62 (608.01)	1.5 (3.30)	7.2
141.1 (1383.71)	109.8 (1076.77)	109.8 (1076.77)	1.9 (4.18)	
236.3 (2317.31)	137.8 (1351.35)	137.8 (1351.35)	2.3 (5.07)	12.3
292.5 (2868.44)	210.9 (2068.22)	210.9 (2068.22)	2.8 (6.17)	

BEARINGS

BEARINGS

# LINEAR GUIDEWAY

BRC-SU/U0, BRD-SU/U0



BEARINGS

BEARINGS

# LINEAR GUIDEWAY

BRC-SU/U0, BRD-SU/U0



Model	Assembly				BR block		
	mm (in)				mm (in)		
	H	W	W2	E	L	BxJ	MQxl
BRC15U0	24 (0.94)	34 (1.33)	9.5 (0.37)	4.6 (0.18)	66 (2.59)	26x26 (1.02x1.02)	M4x5.6
BRD15U0					56 (2.20)		
BRC15SU					47.6 (1.87)	26x- (1.02-)	
BRD15SU					37.6 (1.48)		
BRC20U0	28 (1.10)	42 (1.65)	11 (0.43)	5 (0.19)	77.8 (3.06)	32x32 (1.25x1.25)	M5x6.4
BRD20U0					67.8 (2.66)		
BRC20SU					57 (2.24)	32x- (1.25-)	
BRD20SU					47 (1.85)		
BRC25U0	33 (1.29)	48 (1.88)	12.5 (0.49)	7 (0.27)	88 (3.46)	35x35 (1.37x1.37)	M6x8
BRD25U0					78 (3.07)		
BRC25SU					62.5 (2.46)	35x- (1.37-)	
BRD25SU					52.5 (2.06)		
BRC30U0	42 (1.65)	60 (2.36)	16 (0.62)	9 (0.35)	109 (4.29)	40x40 (1.57x1.57)	M8x11.5
BRD30U0					99 (3.89)		
BRC30SU					75.6 (2.97)	40x- (1.57-)	
BRD30SU					65.6 (2.58)		
BRD35U0	48 (1.88)	70 (2.75)	18 (0.70)	9.5 (0.37)	109 (4.29)	50x50 (1.96x1.96)	M8x11.2
BRD35SU					74.7 (2.94)	50x- (1.96-)	
BRD45U0	60 (2.36)	86 (3.38)	20.5 (0.80)	14 (0.55)	138.2 (5.44)	60x60 (2.36x2.36)	M10x13

BR block				BR rail			
mm (in)				mm (in)			
L1	Oil hole	T1	(N)	W1	H1	F	dxDxh
40 (1.57)	Ø3	4.3 (0.16)	5 (0.19)	15 (0.59)	14 (0.55)	60 (2.36)	4.5x7.5x5.8 (0.17x0.29x0.22)
21.6 (0.85)							
48.8 (1.92)	M6x1	5 (0.19)	15.6 (0.61)	20 (0.78)	18 (0.70)	60 (2.36)	6x9.5x9.0 (0.23x0.37x0.35)
28 (1.10)							
57 (2.24)	M6x1	4.8 (0.18)	15.6 (0.61)	23 (0.90)	22 (0.86)	60 (2.36)	7x11x9.5 (0.27x0.43x0.37)
31.5 (1.24)							
72 (2.83)	M6x1	7 (0.27)	15.6 (0.61)	28 (1.10)	26 (1.02)	80 (3.14)	9x14x12.5 (0.35x0.55x0.49)
38.6 (1.51)							
80 (3.14)	M6x1	8 (0.31)	15.6 (0.61)	34 (1.33)	29 (1.14)	80 (3.14)	9x14x12.5 (0.35x0.55x0.49)
45.7 (1.79)							
105 (4.13)	M8x1	8.5 (0.33)	16 (0.62)	45 (1.77)	38 (1.49)	105 (4.13)	14x20x17.5 (0.55x0.78x0.68)

BEARINGS

BEARINGS

# LINEAR GUIDEWAY

BRC-SU/U0, BRD-SU/U0



Model	Ref data		Basic load rating	
	mm (in)		(kgf) (N)	
	Lmax.	G	Dynamique (C)	Statique (Co)
BRC15U0	4000 (157.47)	20 (0.78)	850 (8335.65)	1350 (13238.98)
BRD15U0				
BRC15SU			520 (5099.45)	680 (6668.52)
BRD15SU				
BRC20U0	4000 (157.47)	20 (0.78)	1400 (13729.31)	2400 (23535.96)
BRD20U0				
BRC20SU			950 (9316.31)	1400 (13729.31)
BRD20SU				
BRC25U0	4000 (157.47)	20 (0.78)	1950 (19122.97)	3200 (31381.28)
BRD25U0				
BRC25SU			1250 (12258.31)	1750 (17161.64)
BRD25SU				
BRC30U0	4000 (157.47)	20 (0.78)	2850 (27948.95)	4800 (47071.92)
BRD30U0				
BRC30SU			1750 (17161.64)	2400 (23535.96)
BRD30SU				
BRD35U0	4000 (157.47)	20 (0.78)	3850 (37755.6)	6200 (60801.23)
BRD35SU			2500 (24516.63)	3650 (35794.27)
BRD45U0	4000 (157.47)	22.5 (0.88)	6500 (63743.22)	10500 (102969.8)

Static moment			Weight	
(kgf*m) (Nm)			kg (lb)	
Mx	My	Mz	Block	Rail (kg/m)
10.1 (99.04)	6.8 (66.68)	6.8 (66.68)	0.17 (0.37)	1.4
5.1 (50.01)	1.8 (17.65)	1.8 (17.65)	0.1 (0.22)	
24 (235.35)	14.6 (143.17)	14.6 (143.17)	0.26 (0.57)	2.6
7 (68.64)	4.9 (48.05)	4.9 (48.05)	0.17 (0.37)	
36.8 (360.88)	22.8 (223.59)	22.8 (223.59)	0.38 (0.83)	3.6
17.5 (171.61)	6.9 (67.66)	6.9 (67.66)	0.21 (0.46)	
67.2 (659.00)	43.2 (423.64)	43.2 (423.64)	0.81 (1.78)	5.2
33.6 (329.50)	11.6 (113.75)	11.6 (113.75)	0.48 (1.05)	
105.4 (1033.62)	62 (608.01)	62 (608.01)	1.2 (2.64)	7.2
62.1 (608.99)	20.9 (204.95)	20.9 (204.95)	0.8 (1.76)	
236.3 (2317.31)	137.8 (1351.35)	137.6 (1349.39)	2.1 (4.62)	12.3

BEARINGS

BEARINGS